

SISO

CABINET

fittings



- high quality furniture fittings



The technical descriptions and dimensions in this catalogue, also those with the photographs and drawings, are not binding. We reserve the right to make design improvements.

We bear no liability for any misprints or other errors that might occur in the production of the catalogue.

SISO A/S tager forbehold for trykfejl samt ændringer i produktets specifikationer.

Für Druckfehler und Irrtümer ist jede Haftung ausgeschlossen. Produktänderungen behalten wir uns vor.



SISO A/S
MILEPARKEN 11
DK - 2740 SKOVLUNDE
(COPENHAGEN)
DENMARK
PHONE: (+45) 45 830 900
FAX: (+45) 45 830 444

DISTRIBUTOR

CONTENTS

- high quality furniture fittings



SHELF SUPPORTS F/WOOD SHELVES 3-8



SHELF SUPPORTS F/GLASS SHELVES 9-15



ZAMAK GLASS CLAMPS 16-17



DOOR CATCHES 18-19



MAGNETIC TOUCH LATCHES 20-22



DOOR DAMPERS 23-24



STRIKING PLATES 25



SLIDING BOLTS 26



MIRROR FITTINGS 27



PNEUMATIC EXPANSION & DROP DOWN SPRINGS .. 28-30

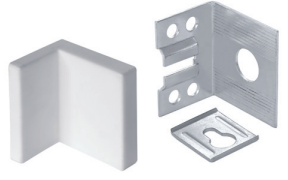


FLAP STAY 31



CONTENTS

CABINET SUSPENSION FITTINGS32-33



WARDROBE SLIDE & CABINET HANGER.....34



WARDROBE TUBES & SUPPORTS 35-36



SHOE CABINET FITTINGS 37



DRAWER STOP – FOR CHILDREN SAFETY 38



SLIDING DOOR FITTINGS39-41



TURNTABLES & SWIVEL PLATE42-43



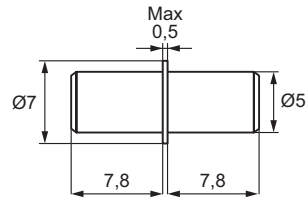
SHELF SUPPORTS F/WOOD SHELVES

- high quality furniture fittings

SHELF SUPPORT – "DUPLO"

Material: Steel
Size: Ø5 x 16 mm

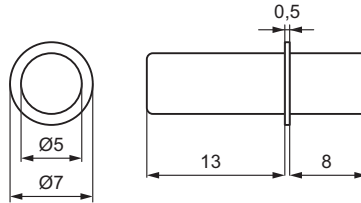
Item No.:
NPL # 22.02.030
BPL # 22.02.031
BZP # 22.02.032
Black And. # 22.02.035



SHELF SUPPORT – "DUPLO – XL"

Material: Steel
Size: Ø5 x 21,5 mm

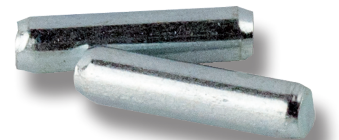
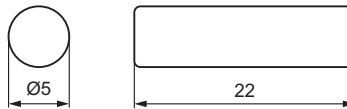
Item No.:
BZP # 22.02.036



SHELF SUPPORT "DUPLO – XL – NO STOP"

Material: Steel
Size: Ø5 x 22 mm

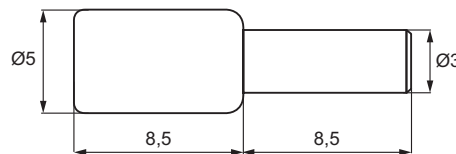
Item No.:
BZP # 22.02.039



SHELF SUPPORT – "GRENADE"

Material: Steel
Size: Ø3/5 x 17 mm

Item No.:
BZP # 22.02.028
NPL # 22.02.029

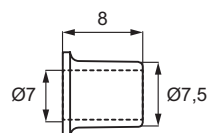
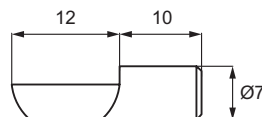


SHELF SUPPORT – "SPADE"

Material: Steel

Size:
Plug: Ø7 x 22 mm
Bushing: Ø7 x 8 mm

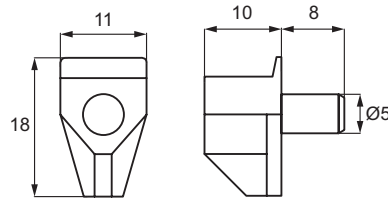
Item No.:
Plug - BPL # 22.02.015
Plug - NPL # 22.02.016
Bushing - BPL # 22.02.025
Bushing - NPL # 22.02.026



SHELF SUPPORT – "METAL/PLAST"

Material: HD plastic
Pin: Ø5 x 8 mm
Plastic body: 18 x 11 x 10 mm (H/W/D)

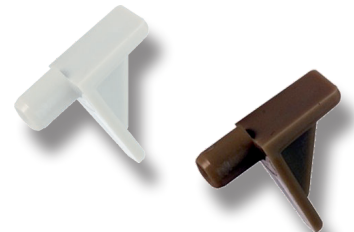
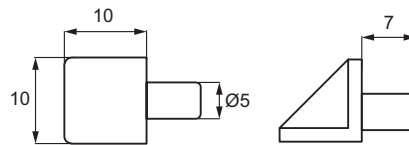
Item No.:
 Brown # 22.02.040
 Transparent # 22.02.043
 White # 22.02.045



SHELF SUPPORT – "PLAST"

Material: PA plastic
Pin: Ø5 x 7 mm
Plastic body: 10 x 10 x 10 mm (H/W/D)

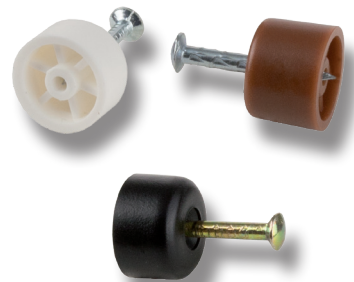
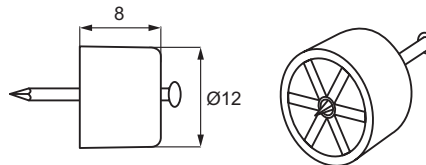
Item No.:
 Brown # 22.02.051
 White # 22.02.050



SHELF SUPPORT – NAIL-ON, NO. 128

Material: PA plastic
Nail: 18 mm
Plastic body: Ø12 x 8 mm

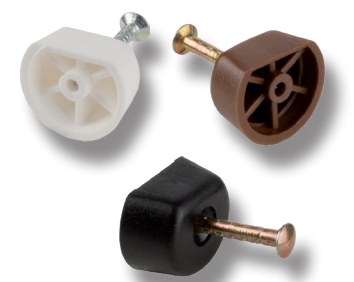
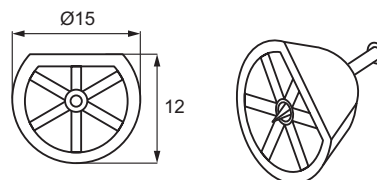
Item No.:
 White # 22.02.055
 Brown # 22.02.056
 Black # 22.02.057



SHELF SUPPORT – NAIL-ON, NO. 158

Material: PA plastic
Nail: 18 mm
Plastic body: Ø15 x 12 x 8 mm

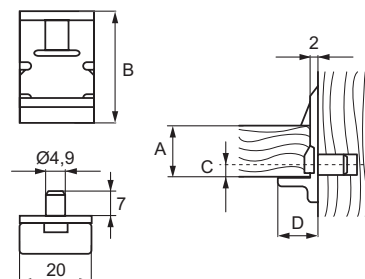
Item No.:
 White # 22.02.065
 Brown # 22.02.062
 Black # 22.02.061



SHELF SUPPORT – W/RETAINER

Material: PA plastic
Pin: Ø5 x 7 mm
Panel thickness: 12, 16 & 18 mm

Item No.:
 12 mm - White # 22.02.119
 12 mm - Brown # 22.02.118
 16 mm - White # 22.02.120
 16 mm - Brown # 22.02.121
 18 mm - White # 22.02.128
 18 mm - Brown # 22.02.127



A	C	D	Item No.
12,8 mm	4 mm	9,8 mm	# 22.02.118/22.02.119
16,8 mm	4 mm	9,8 mm	# 22.02.120/22.02.121
18,8 mm	9,5 mm	9,8 mm	# 22.02.127/22.02.128



SHELF SUPPORTS F/WOOD SHELVES

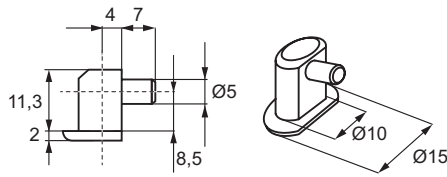
- high quality furniture fittings



SHELF SUPPORT - LAY-IN 16 MM PANELS

Material: PA plastic
Pin: Ø5 x 7 mm

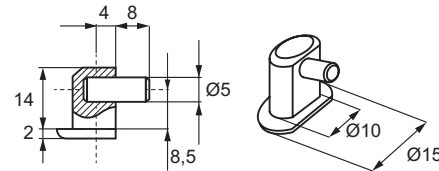
Item No.:
Brown # 22.02.150



SHELF SUPPORT - LAY-IN 18 MM PANELS

Material: PA plastic & steel
Steel pin: Ø5 x 7 mm

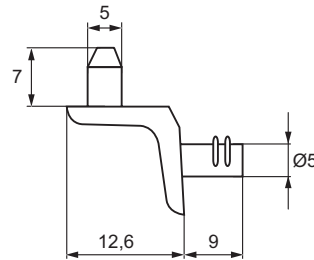
Item No.:
Brown # 22.02.155



SHELF SUPPORT - 2-PINS

Material: Zamak
Pin: Ø5 x 7,5 mm

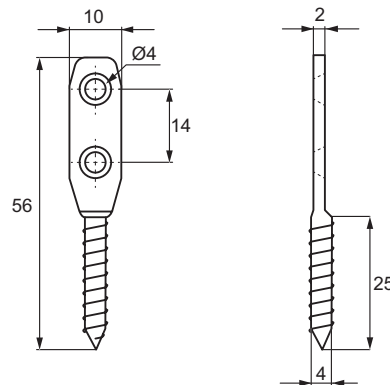
Item No.:
NPL # 22.02.100



SHELF SUPPORT - "PADDLE"

Material: Steel
Size: 56 x 10 x 2 mm
Thread: Ø4 x 25 mm

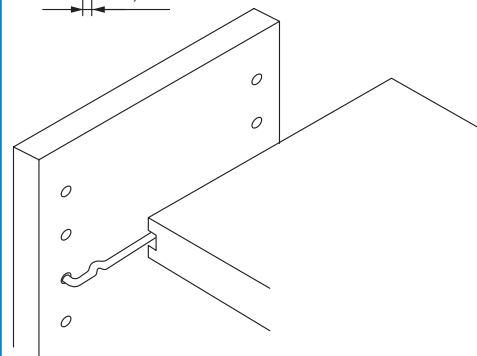
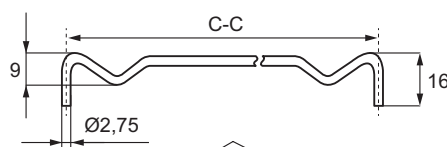
Item No.:
BZP # 22.02.096



WIRE SHELF SUPPORT

Material: Steel - galvanized
Bore: Ø2,75 mm

Item No.:
c/c: 192 mm # 22.02.330
c/c: 240 mm # 22.02.340
c/c: 256 mm # 22.02.390
c/c: 400 mm # 22.02.450



"SLOPE" SHELF BRACKET – F/SLOPING WALLS

"Slope" is an ideal shelf bracket solution for roof top apartments, bathrooms, living rooms, offices or shops where you have sloping walls. The "Slope" can be used for both wood & glass shelves.

Specifications:
Adjustable from: 90 - 156°
Max depth of shelf: 45 cm
Max load: 30 kg when using 2 brackets
Size: 335 x 113 x 23,5 mm. (L/H/W)
Material: Stainless Steel 304

Item No.:
 Brushed # 22.02.800
 Polished # 22.02.801
 Raw # 22.02.802

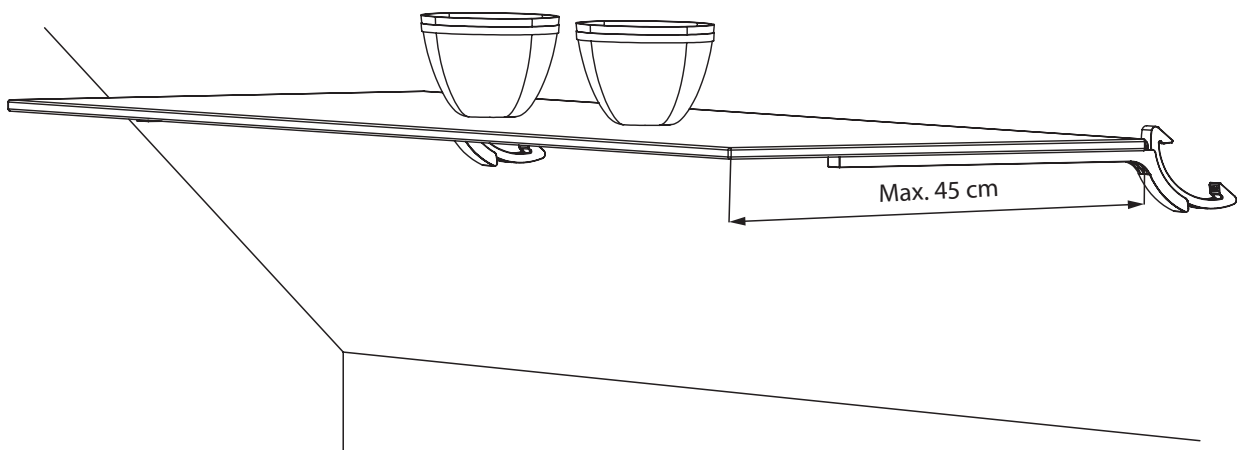
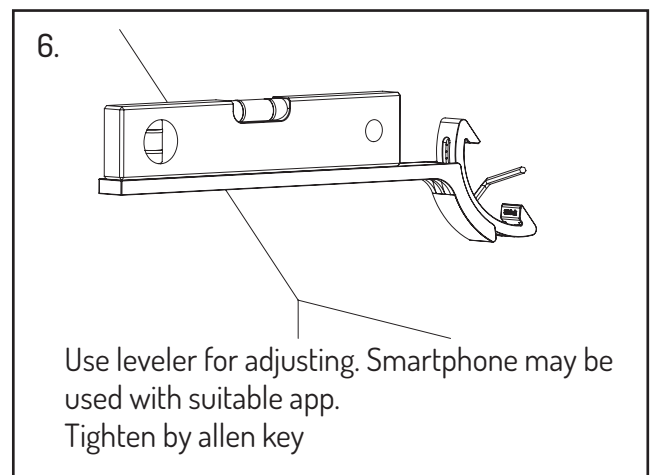
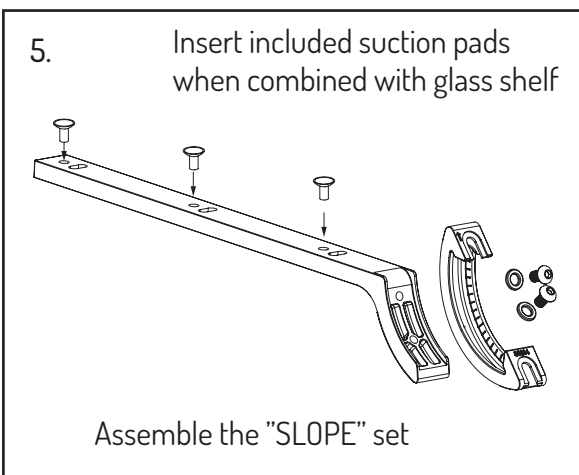
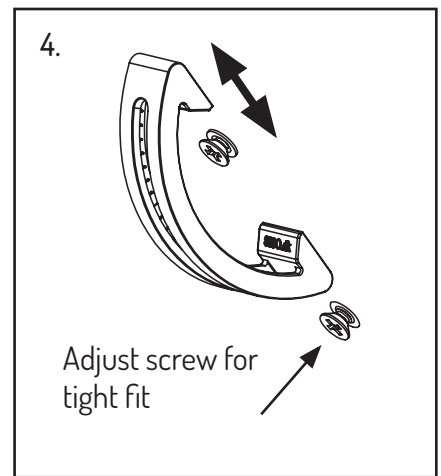
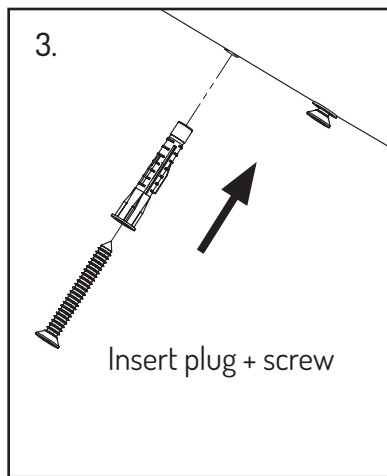
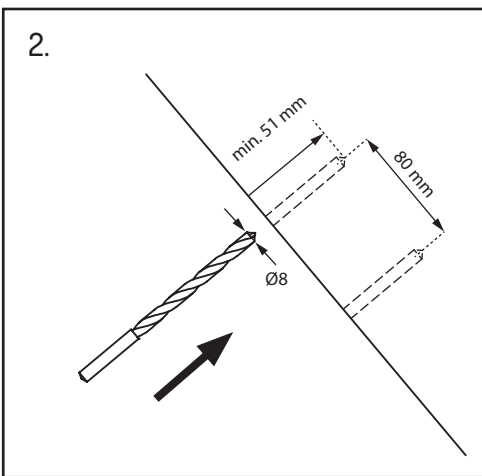
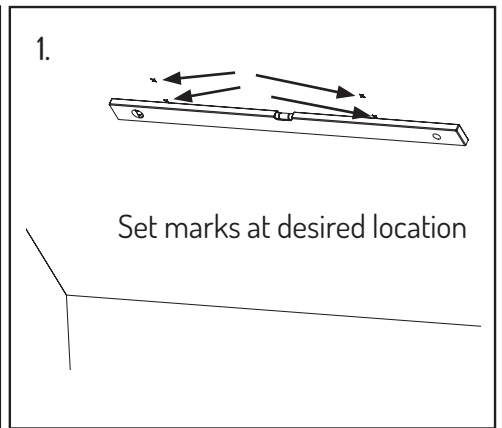
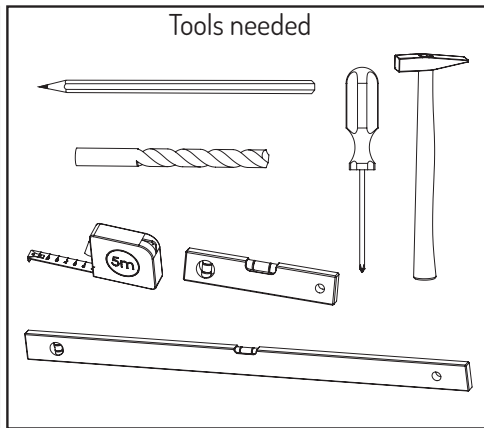
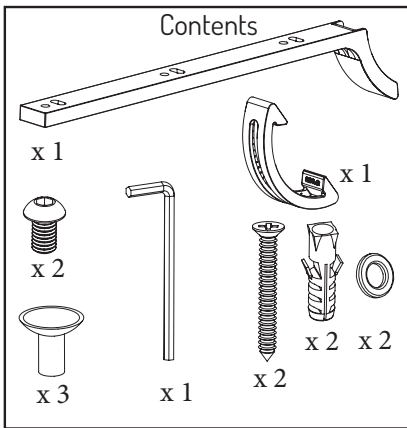
Incl.:
 2 x Socket screws M6 x 8 mm DIN 7984
 2 x CSK Chipboard screws 5 x 50 mm
 2 x Plastic wall plugs Ø8 x 50 mm
 1 x 4mm L-shaped hex key
 2 x Flat washers
 3 x Suction pads f/glass shelves
 1 x Installation manual



"SLOPE" SHELF BRACKET – "HOW TO DO!"

- high quality furniture fittings

SISO
DENMARK



INVISIBLE SHELF SUPPORT W/PLUG

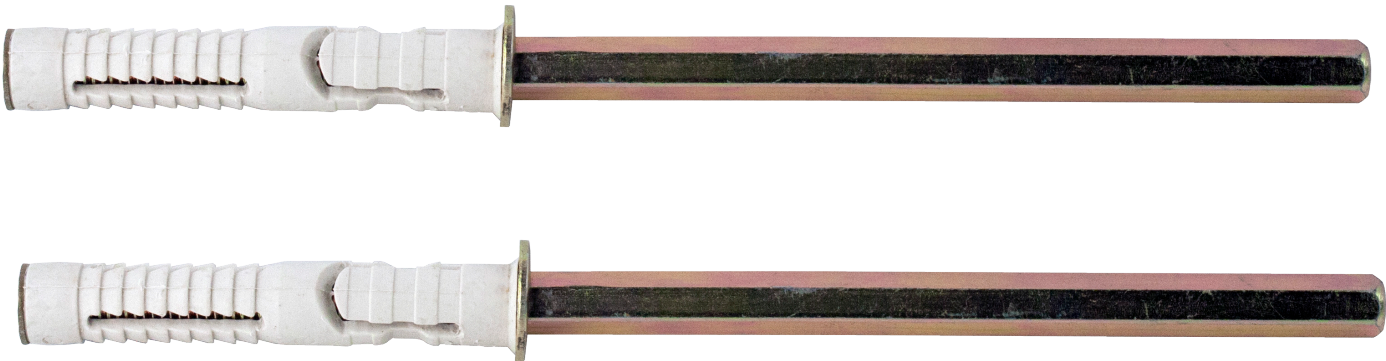
Invisible shelf support w/ plug

Application: For wooden shelves.

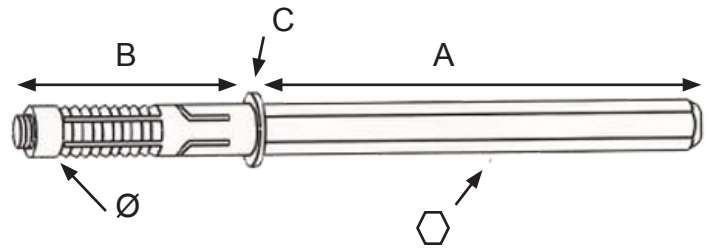
Material: Pin: Steel, Yellow Zinc Plated
 Plug: Polyamid (PA), White

Item No:

- Ø8x145 mm. # 22.21.065
- Ø10x100 mm. # 22.21.070
- Ø10x150 mm. # 22.21.075
- Ø12x120 mm. # 22.21.080
- Ø12x145 mm. # 22.21.085



ART.NO.	SIZE	A	B	C	DIA
	MM	MM	MM	MM	MM
22.21.065	8	145	73	1,5	12
22.21.070	10	100	73	1,5	12
22.21.075	10	150	73	1,5	12
22.21.080	12	120	73	1,5	14
22.21.085	12	145	73	1,5	14



SHELF SUPPORTS FOR GLASS

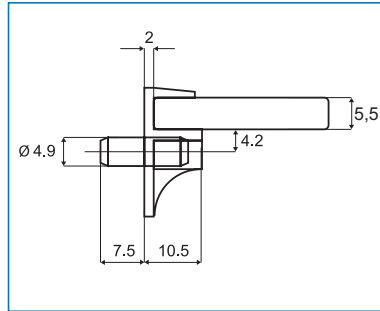
- high quality furniture fittings



GLASS SHELF SUPPORT - with retainer

Material: Steel pin Ø5 mm, bright zinc plated and transparent plastic support with retainer

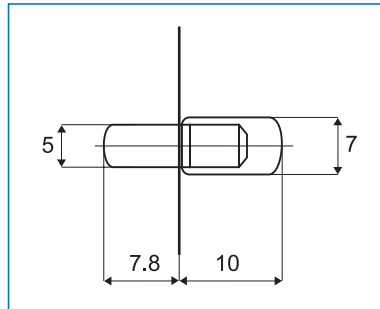
Suitable for GLASS THICKNESS
5,5 mm # 22.02.080



GLASS SHELF SUPPORT „CRISTAL“

Material: Steel pin Ø5 mm, mantled with transparent plastic to 7 mm diam.

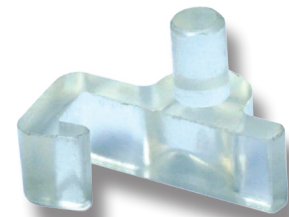
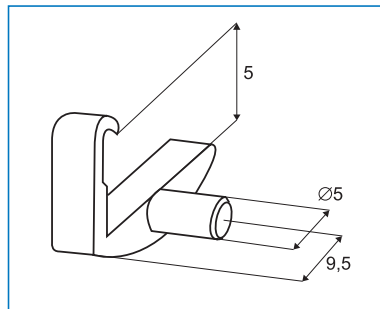
Item No.:
Bright zinc plated # 22.02.037
Brass plated # 22.02.038



GLASS SHELF SUPPORT

with slide lock No. 1630
- moulded in sets (left + right)

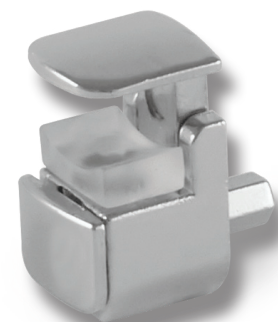
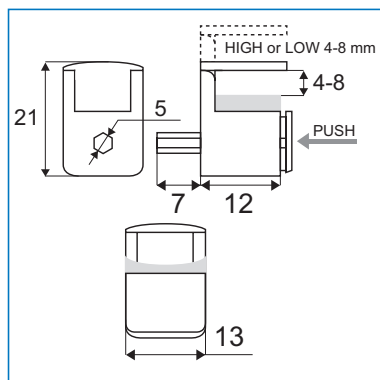
Material: Transparent plastic # 22.02.082
Pin: Ø5 mm
Bore hole: 9,5 mm from edge
Glass: 5 mm
Packing: 3500 pcs



GLASS SHELF SUPPORT „PARROT“ w/clip fixing to secure the glass

Material: Zamak, Nickel plated
Pin: Ø5 mm
Glass thickness: 4 - 8 mm
Item No.: # 22.02.456

Packing: 1000 pcs per export carton



SHELF SUPPORT - w/ flexible Retainer for GLASS SHELVES (min. 5 mm)

Material: Plastic

PIN: 5 mm

Colours

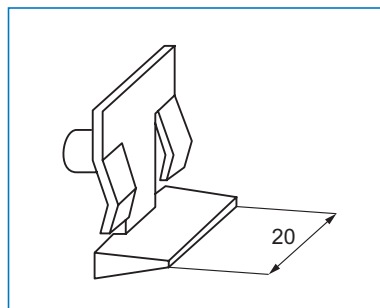
White # 22.02.066

Black # 22.02.067

Brown

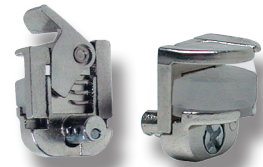
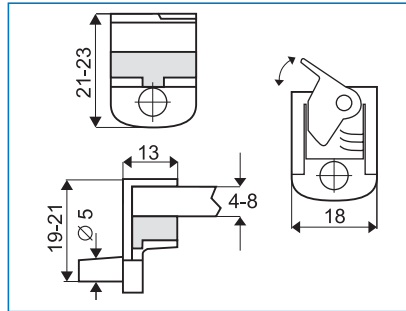
Transparent

For glass minimum 5 mm



**SHELF SUPPORT „ALFA“ - w/ catch
for glass 4-8 mm
with eccentric Pin Ø5 mm
Zamak
Nickel plated # 22.02.245**

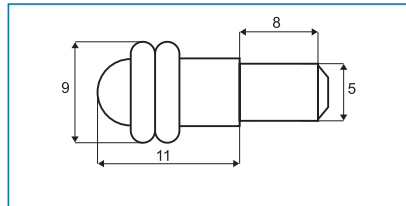
Options:
Without pin but with hole Ø5 mm for screw



**SHELF SUPPORT
w/2 rubber O-rings**

Material:
Steel, NPL # 22.02.200

Packing:
5000 pcs

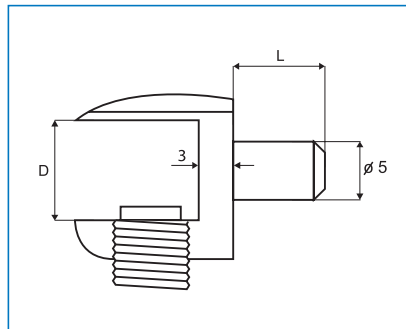


**SHELF SUPPORT
w/soft plastic screw**

Material:
Zamak, nickel plated

Sizes: D Ø L Item No.:
8 mm 5 mm 8 mm # 22.02.231
5 mm 5 mm 8 mm # 22.02.230

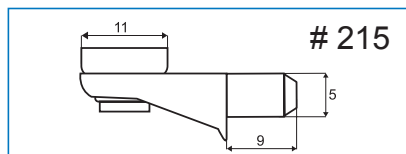
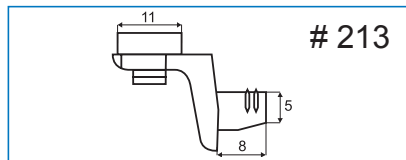
Packing:
1000 pcs



SHELF SUPPORT W/SUCTION PAD

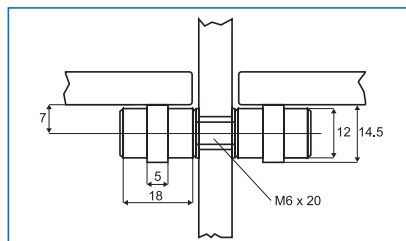
Material:
Zamak, nickel plated
No. 213 # 22.02.240
No. 215 # 22.02.241

Packing:
2500 pcs



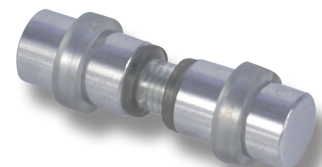
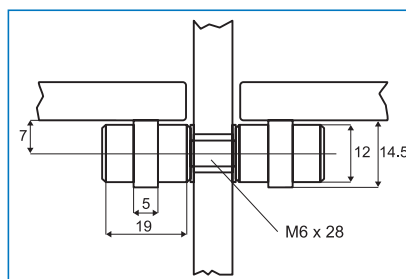
**SHELF SUPPORT - "Double" - Brass -
w/2 black rubber rings**

Material: Brass, nickel plated
Size: 2 pcs each Ø12 x 18 mm
Bore: Ø8 mm
Glass thickness: 6 - 8 mm
Item No.: # 22.02.116



**SHELF SUPPORT - "Double" - Steel -
w/2 transparent rings**

Material: Steel, chrome plated
Size: 2 pcs each Ø12 x 19 mm
Bore: Ø8 mm
Glass thickness: 4 - 8 mm
Item No.: # 22.02.111



SHELF SUPPORTS FOR GLASS

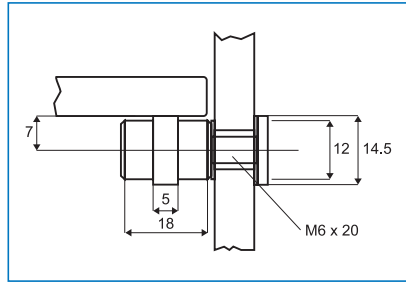
- high quality furniture fittings



SHELF SUPPORT - "Single" - Brass - w/1 black rubber ring

Material: Brass, nickel plated
Size: Ø12 x 18 mm
Bore: Ø8 mm
Glass thickness: 6 - 8 mm

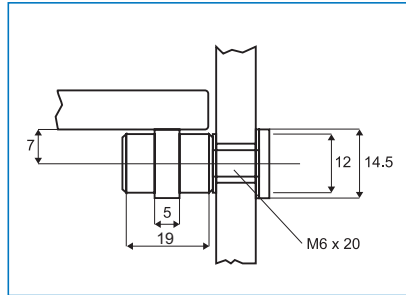
Item No.: # 22.02.115



SHELF SUPPORT - "Single" - Steel - w/1 transparent ring

Material: Steel, chrome plated
Size: Ø12 x 19 mm
Bore: Ø8 mm
Glass thickness: 4 - 8 mm

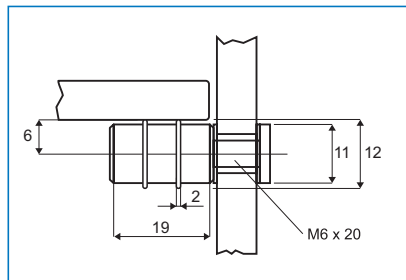
Item No.: # 22.02.106



SHELF SUPPORT - "Single" - Steel - w/2 transparent rings

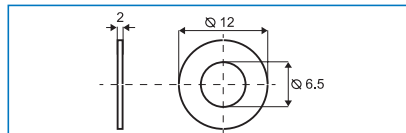
Material: Steel, chrome plated
Size: Ø11 x 19 mm
Bore: Ø8 mm
Glass thickness: 4 - 8 mm

Item No.: # 22.02.105



EXTRA RUBBER washer for shelf support # 22.02.115 & 116

Transparent # 22.02.114

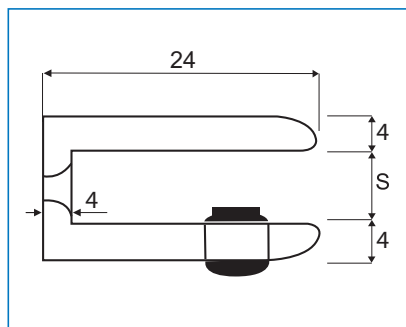


SHELF SUPPORT - Cylindrical Mounting with wood screw Ø4,5 mm

Material: Zamak

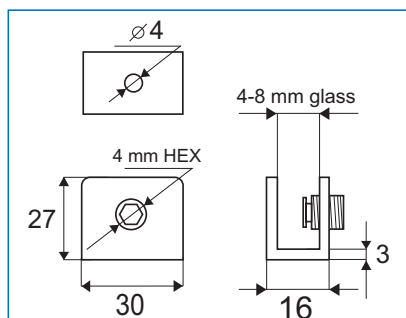
Ø	S	Item No.:
CPL Ø17 mm	4 - 6 mm	# 22.02.220
ALU Ø17 mm	4 - 6 mm	# 22.02.221
CPL Ø20 mm	8 - 10 mm	# 22.02.210
ALU Ø20 mm	8 - 10 mm	# 22.02.213

Packing:
100 pcs



GLASS SHELF SUPPORT „SQUARE“ w/Ø4 mm screw hole, CSK

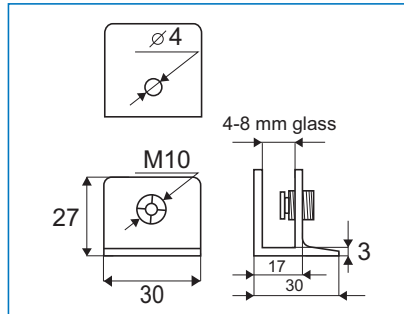
Material: Zamak
Size: (W/H/D) 30 x 27 x 16 mm
Glass thickness: 4 - 8 mm
 Chrome plated # 22.02.560
 Alu finish # 22.02.561
 SS-look # 22.02.563



SHELF SUPPORTS FOR GLASS

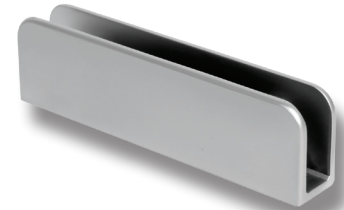
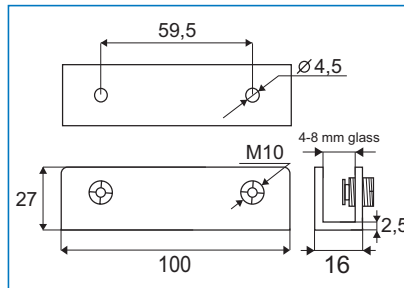
GLASS SHELF SUPPORT „SQUARE“ "X-STRONG"

Material: Zamak
Size: (W/H/D) 30 x 30 x 27 mm
Glass thickness: 4 - 8 mm
Mounting: Ø4 mm CSK hole
 Chrome plated # 22.02.610
 Alu finish # 22.02.611



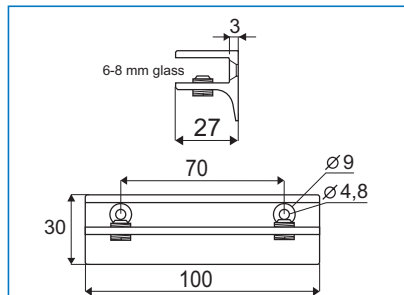
GLASS SHELF SUPPORT „SQUARE XL“

Material: Zamak
Size: (W/H/D) 100 x 16 x 27 mm
Glass thickness: 4 - 8 mm
Mounting: Ø4 mm CSK hole
 Chrome plated # 22.02.565
 Alu finish # 22.02.566



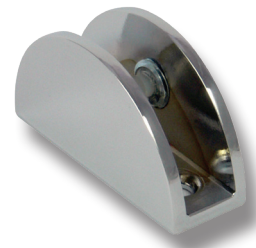
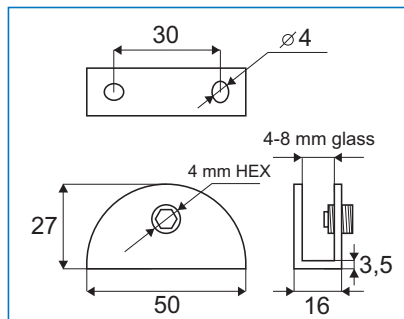
GLASS SHELF SUPPORT "SHELFIE"

Material: Zamak
Size: (W/H/D) 100 x 30 x 27 mm
Glass thickness: 6 - 8 mm
Mounting: Ø 5 mm CSK Holes
 Item No.: # 22.02.625



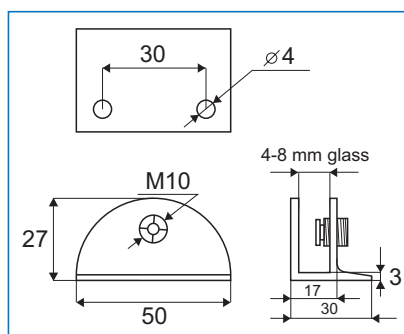
GLASS SHELF SUPPORT „HALF MOON“ w/Ø4 mm screw hole, CSK

Material: Zamak
Size: (W/H/D) 50 x 16 x 27 mm
Glass thickness: 4 - 8 mm
 Chrome plated # 22.02.570
 Alu finish # 22.02.571
 SS-look # 22.02.573



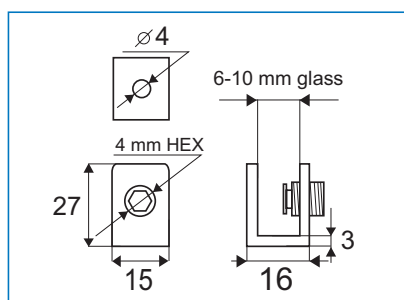
GLASS SHELF SUPPORT „HALF-MOON“ "X-STRONG"

Material: Zamak
Size: (W/H/D) 50 x 30 x 27 mm
Glass thickness: 4 - 8 mm
Mounting: Ø4 mm CSK hole
 Chrome plated # 22.02.620
 Alu finish # 22.02.621



GLASS SHELF SUPPORT „MUS“ w/Ø4 mm screw hole, CSK

Material: Zamak
Size: (W/H/D) 15 x 16 x 27 mm
Glass thickness: 6 - 10 mm
 Chrome plated # 22.02.600
 Alu finish # 22.02.601
 SS-look # 22.02.603

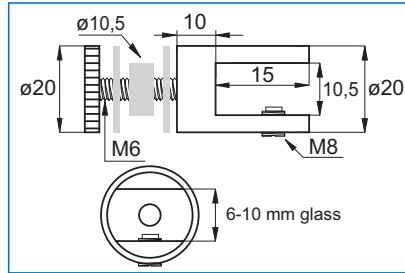


SHELF SUPPORTS FOR GLASS

- high quality furniture fittings

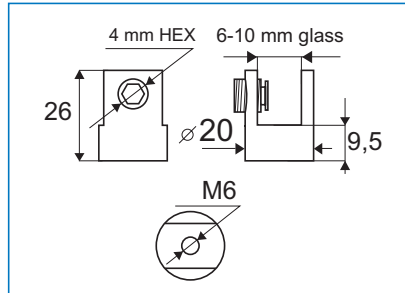
GLASS SHELF SUPPORT „CYLINDRICAL“ F/GLASS WALL FIXING

Material: Brass
Size: Ø20 x 26 mm
Glass thickness: 6 - 10 mm
Chrome plated # 22.02.235



GLASS SHELF SUPPORT „CYLINDRICAL“ w/M6 mm screw hole

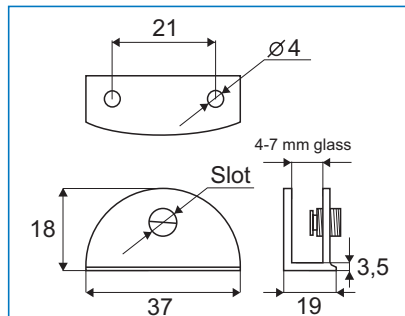
Material: Zamak
Size: Ø20 x 26 mm
Glass thickness: 6 - 10 mm
Chrome plated # 22.02.226
Alu finish # 22.02.227
SS-look # 22.02.228



GLASS SHELF SUPPORT „DOME“ SMALL w/Ø4 mm screw hole, CSK

Material: Zamak, Chrome plated
Size: (W/H/D) 37 x 19 x 18 mm
Glass thickness: 4 - 7 mm
Item No. # 22.02.575

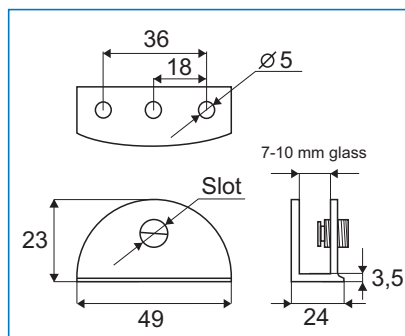
Inclusive screws and wall plugs



GLASS SHELF SUPPORT „DOME“ LARGE w/Ø5 mm screw holes, CSK

Material: Zamak
Size: (W/H/D) 49 x 24 x 23 mm
Glass thickness: 7 - 10 mm
Chrome plated # 22.02.580

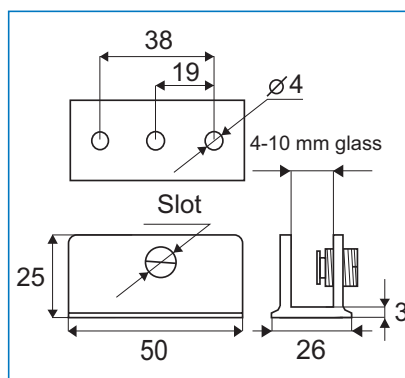
Inclusive screws and wall plugs



GLASS SHELF SUPPORT „RECTA“ LARGE w/Ø5 mm screw holes, CSK

Material: Zamak, Chrome plated
Size: (W/H/D) 50 x 26 x 25 mm
Glass thickness: 4 - 10 mm
Item No. # 22.02.595

Inclusive screws and wall plugs

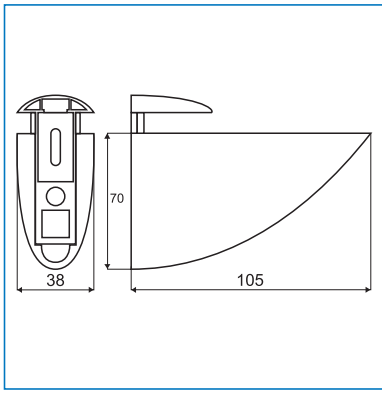


ADJUSTABLE SHELF SUPPORT „PELICANS“

MODEL NO. 53
For glass & wood shelves

Material: Zamak
Shelf thickness: 4 - 40 mm
Max load: 40 kg

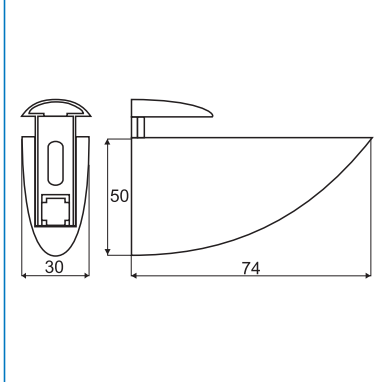
Finish:
Alu finish # 22.02.550
Polished chrome # 22.02.552
SS-look # 22.02.553



MODEL NO. 52
For glass & wood shelves

Material: Zamak
Shelf thickness: 4 - 2 6 mm
Max load: 30 kg

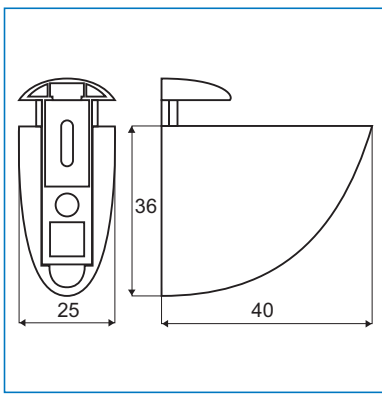
Finish:
Alu finish # 22.02.545
Mat nickel # 22.02.546
SS-look # 22.02.548



MODEL NO. 45
For glass & wood shelves

Material: Zamak
Shelf thickness: 4 - 10 mm
Max load: 20 kg

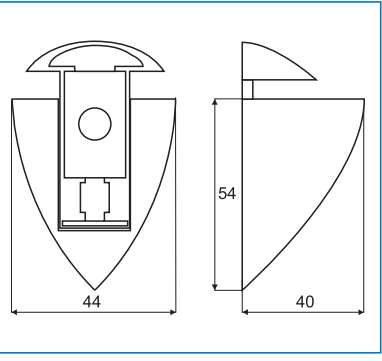
Finish:
Polished chrome # 22.02.495
SS-look # 22.02.496



MODEL NO. 47
For glass & wood shelves

Material: Zamak
Shelf thickness: 4 - 22 mm
Max load: 20 kg

Finish:
Mat chrome coated # 22.02.510
SS-look # 22.02.513



ADJUSTABLE SHELF SUPPORT „PELICANS“

- high quality furniture fittings

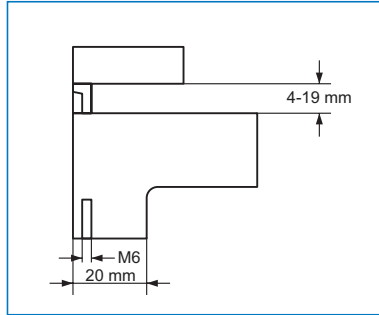


MODEL NO. 49

For glass & wood shelves

Material: Zamak
Shelf thickness: 4 - 19 mm
Max load: 20 kg

Finish:
 Chrome plated # 22.02.525
 Alu finish # 22.02.526

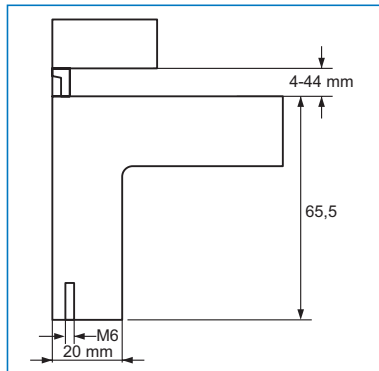


MODEL NO. 54

For glass & wood shelves

Material: Zamak
Shelf thickness: 4 - 44 mm
Max load: 20 kg

Finish:
 Chrome plated # 22.02.555
 Alu finish # 22.02.556

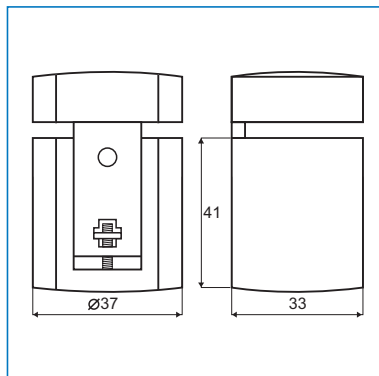


MODEL NO. 43

For glass & wood shelves

Material: Zamak
Shelf thickness: 4 - 24 mm
Max load: 20 kg

Finish:
 Black coated # 22.02.470
 Alu finish # 22.02.471
 SS-look # 22.02.473
 Matt nickel # 22.02.474

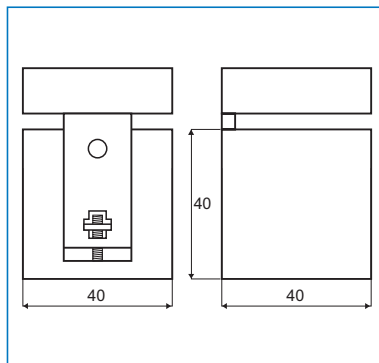


MODEL NO. 44

For glass & wood shelves

Material: Zamak
Shelf thickness: 4 - 24 mm
Max load: 20 kg

Finish:
 Polished chrome # 22.02.477
 Matt nickel # 22.02.479



ZAMAK GLASS CLAMP NO. 31 F/WALL MOUNTING

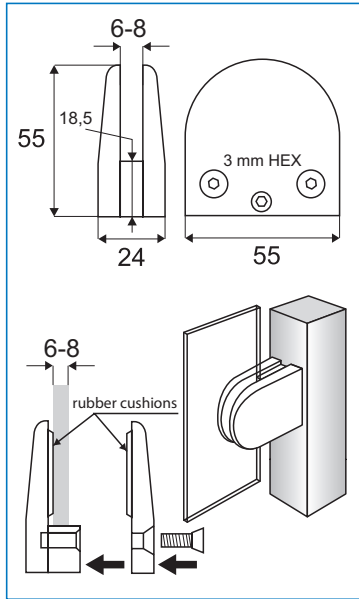
Application:
Balconies, balustrade, shelves etc.

Material: Zamak

Model „Large“ w/round rubber rings f/glass thickness 6 - 8 mm

Chrome plated # 22.10.150
Gold plated # 22.10.151
Matt nickel plated # 22.10.152

Packing:
100 pcs per carton



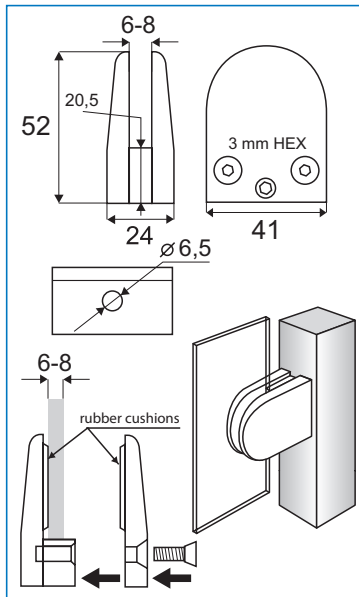
Application:
Balconies, balustrade, shelves etc.

Material: Zamak

Model „Medium“ w/flat rubber cushions f/glass thickness 6 - 8 mm

Chrome plated # 22.10.160
Matt nickel plated # 22.10.161

Packing:
100 pcs per carton



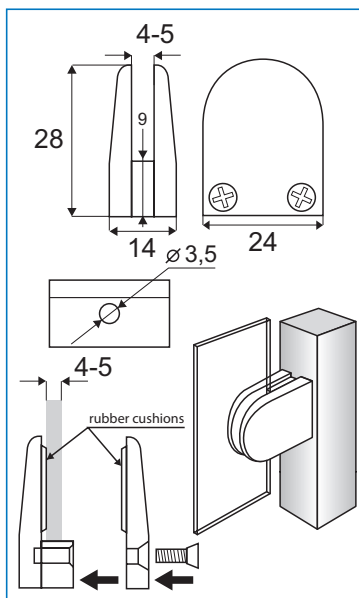
Application:
Balconies, balustrade, shelves etc.

Material: Zamak

Model „Small“ w/flat rubber cushions f/glass thickness 4 - 5 mm

Chrome plated # 22.10.165
Matt nickel plated # 22.10.166

Packing:
500 pcs per carton



ZAMAK GLASS CLAMP NO. 31 F/TUBE MOUNTING

- high quality furniture fittings



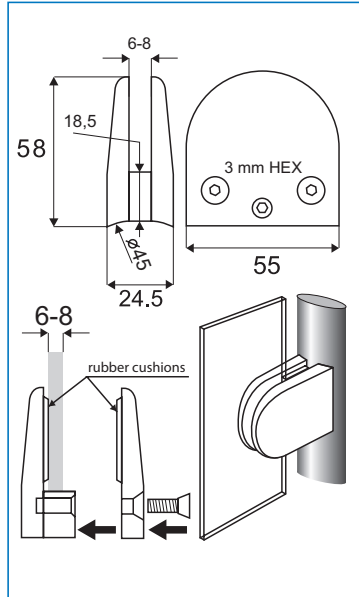
Application:
Balconies, balustrade, staircases etc.

Material: Zamak

Ø45 mm tube „L“ w/round rubber rings f/glass thickness 6 - 8 mm

Chrome plated # 22.10.170
Matt nickel plated # 22.10.171

Packing
100 pcs per carton



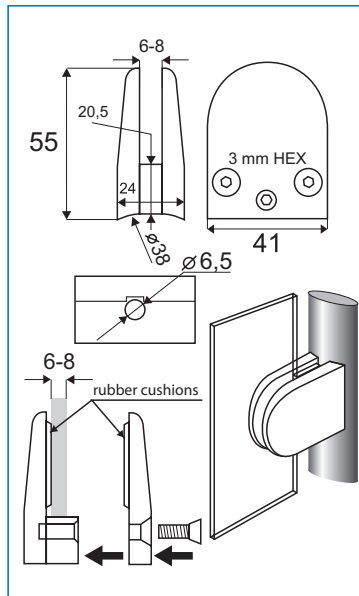
Application:
Balconies, balustrade, staircases etc.

Material: Zamak

Ø38 mm tube „M“ w/flat rubber cushions f/glass thickness 6 - 8 mm

Chrome plated # 22.10.175
Matt nickel plated # 22.10.176

Packing
100 pcs per carton



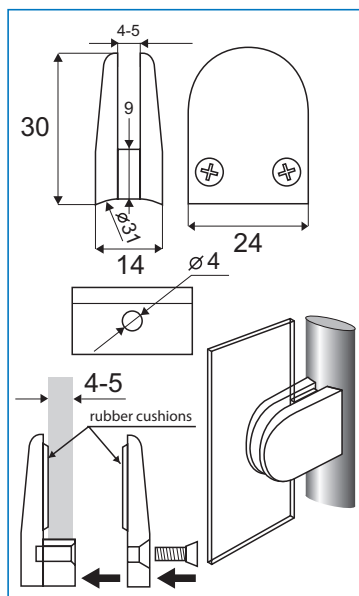
Application:
Balconies, balustrade, staircases etc.

Material: Zamak

Ø31 mm tube „S“ w/flat rubber cushions f/glass thickness 4 - 5 mm

Chrome plated # 22.10.180
Matt nickel plated # 22.10.181

Packing
500 pcs per carton



DOOR CATCHES

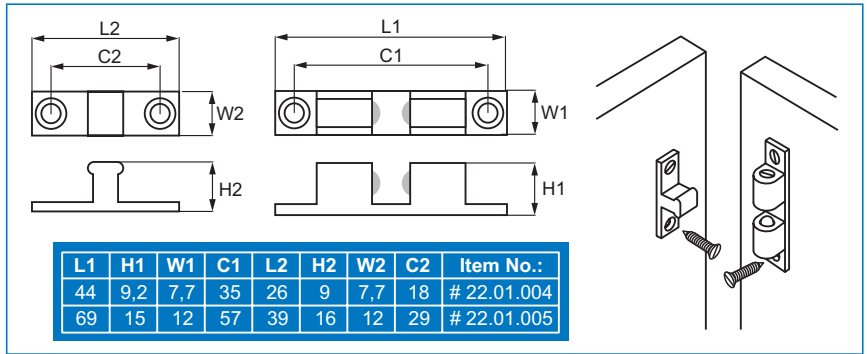
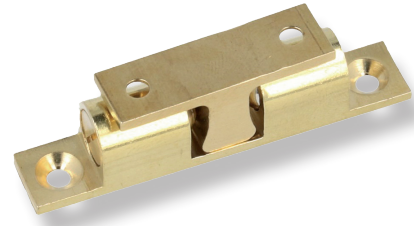
DOUBLE BALL CATCH

Material: Brass – natural
Size: 43 x 8 mm
 or 69 x 12 mm

One set consist of:
 1 body & 1 striker

Item No.:
 44 x 8 mm # 22.01.004
 69 x 12 mm # 22.01.005

(Excl. screws)



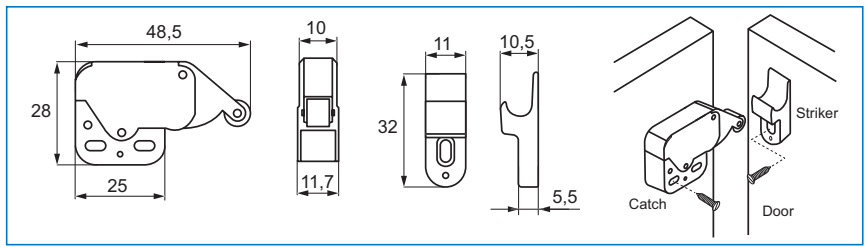
MINI LATCH – “PUSH TO OPEN”

Material:
 Body: Steel
 Striker: Plastic

Size:
 Body: 48,5 x 28 x 25 mm
 Striker: 32 x 11 mm

Item No.:
 Brown/Brass Pl. # 22.01.010
 White/Nickel Pl. # 22.01.015

(Incl. screws)



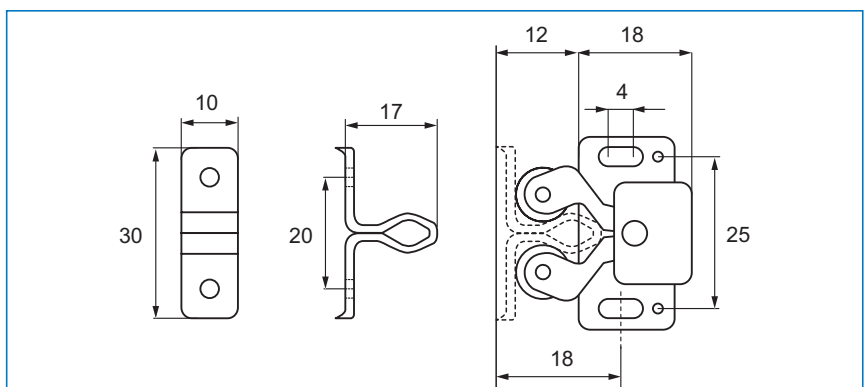
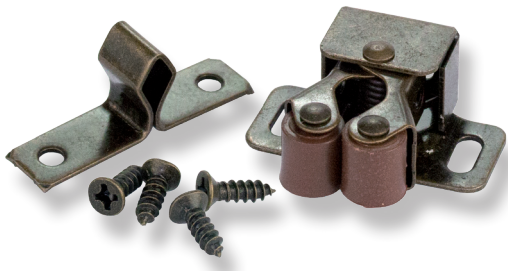
DOUBLE ROLLER CATCH

Material:
 Body & striker: Steel
 Wheels: Plastic

Size:
 Body: 32 x 28 mm
 Striker: 32 x 10 mm

Item No.:
 Bronze Plated # 22.01.500
 Bright Zinc Pl. # 22.01.510

(Incl. screws)



MAGNETIC CATCH – 4 & 6 KG

Material:

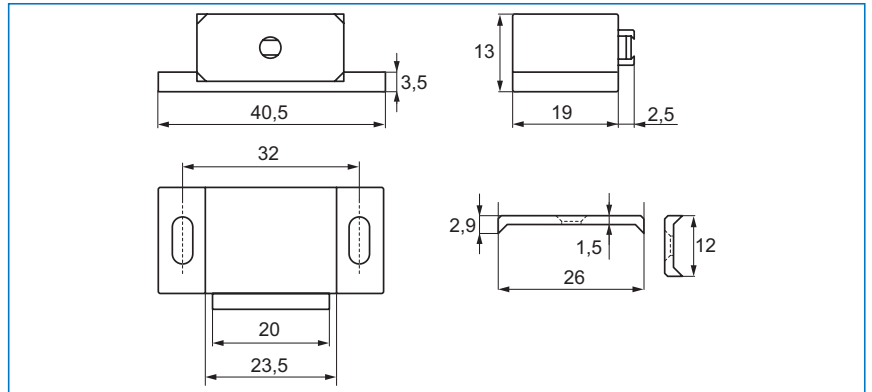
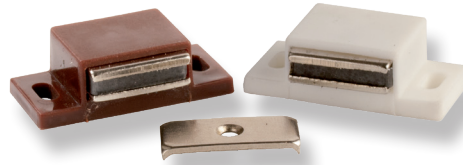
Body: Plastic
Striker: Steel - NPL

Size:

Body: 40,5 x 19 x 13 mm (W/D/H)
Screw holes: CC: 32 mm
Striker: 26 x 12 x 3 mm

Item No.:

White – 4 kg # 22.01.028
Brown – 4 kg # 22.01.031
Black – 4 kg # 22.01.032
White – 6 kg # 22.01.037



KNOCK-IN MAGNET X-S1

Material:

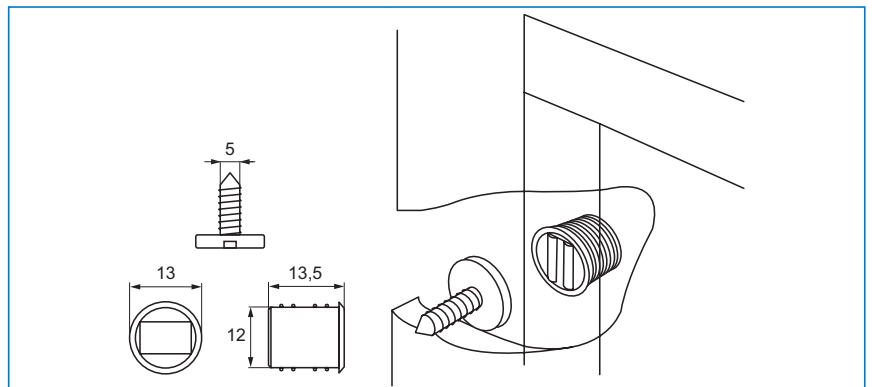
Body: Plastic - brown
Striker: Steel - bronze Pl.

Size:

Body: $\varnothing 12 \times 13,5$ mm – bore: $\varnothing 12$ mm
Screw-on striker: Head: $\varnothing 12 \times 2$ mm.
Nail: $\varnothing 5 \times 10$ mm

Item No.:

Brown – 2 kg # 22.01.057



KNOCK-IN MAGNET X-S2

Material:

Body: Plastic
Striker: Steel - NPL

Specifications:

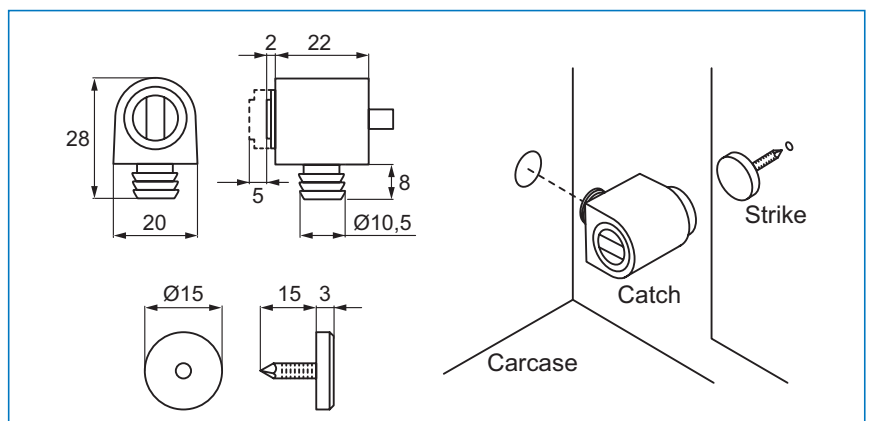
Magnet adjustable by 5 mm

Size:

Body: 20 x 22 mm – bore: $\varnothing 10 \times 8$ mm
Nail-on striker: Head: $\varnothing 15 \times 3$ mm
Nail: $\varnothing 2 \times 10$ mm

Item No.:

Brown – 4 kg # 22.01.061
White – 4 kg # 22.01.063



TOUCH LATCHES "PUSH-TO-OPEN"

TOUCH LATCH "SLIM" W/SOFT BUMPER

Application: Push-to-open touch latch for doors and drawers

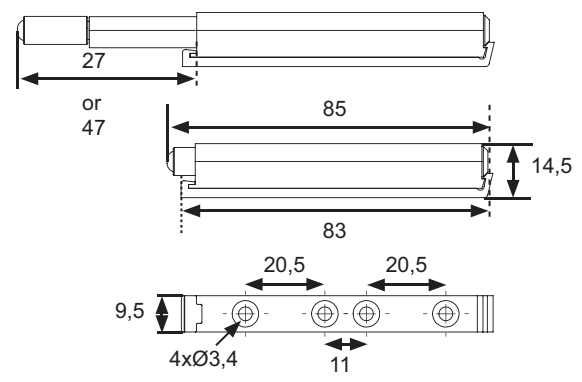
Material: Black ABS, White ABS, Grey ABS RAL 7040

Overall size: 85 mm x 14,5 mm

Extended: 105,5 mm

Item No.: # 22.01.108 (Black)
22.01.109 (Grey)
22.01.109-5 (White)

Screws to be ordered separately



MAGNET TOUCH LATCH "SLIM" W/STRIKER

Application: Push-to-open touch latch for doors and drawers with magnet & striker. Suitable for wood & glass fronts

Material: Black ABS, White ABS, Grey ABS RAL 7040

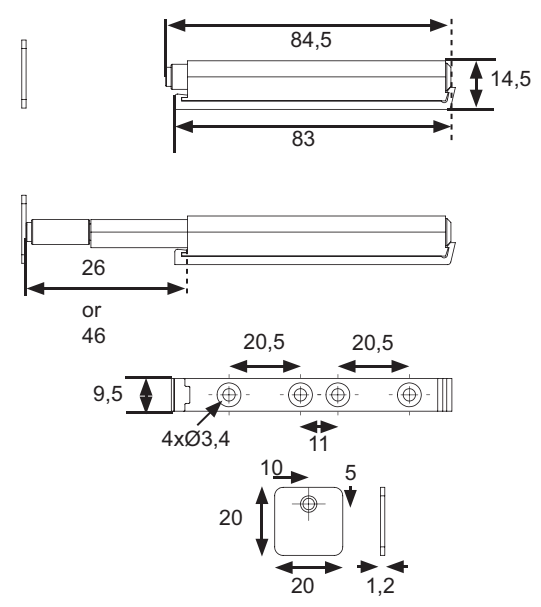
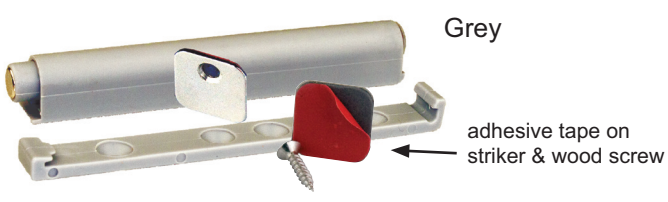
Overall size: 84,5 mm x 14,5 mm

Extended: 105 mm

Item No.: # 22.01.104 (White)
22.01.105 (Black)
22.01.106 (Grey)

Incl. Steel striker 20 x 20 mm with adhesive tape for glass fixing & screw hole for wood fixing

Screws to be ordered separately



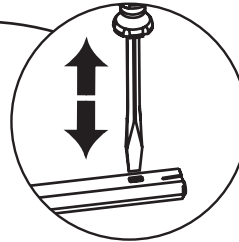
TOUCH LATCHES "PUSH-TO-OPEN"

- high quality furniture fittings

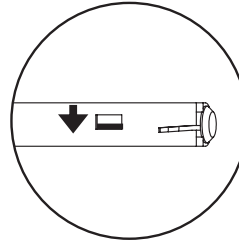
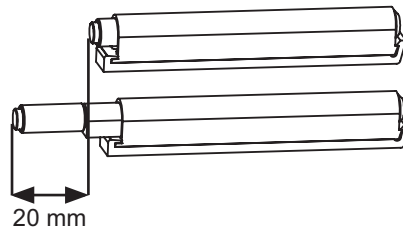
CHANGE OF EXTENSION LENGTH



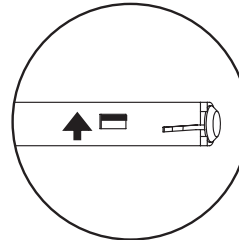
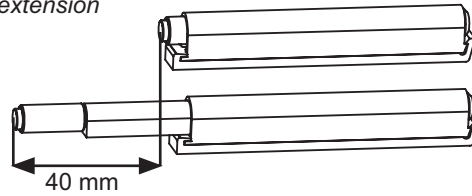
In closed position, press the tab upwards or downwards to choose the length of extension



20 mm. extension



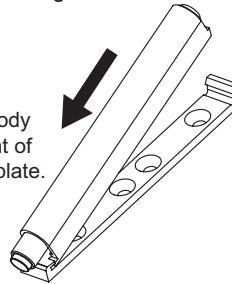
40 mm. extension



Mounting of latch

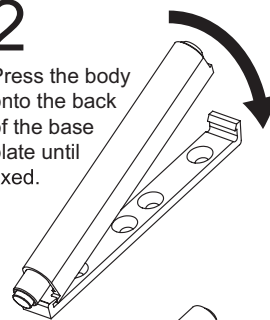
1

Clip the body to the front of the base plate.

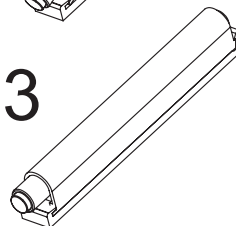


2

Press the body onto the back of the base plate until fixed.



3



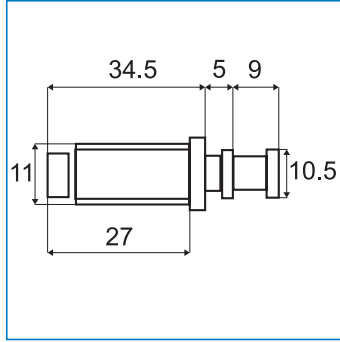
MAGNETIC TOUCH LATCH

Knock in type
- No striker included

Finish: Black Plastic # 22.01.095
Bore: Ø11 x 38 mm

Packing

350 pcs per box
2800 pcs per export carton



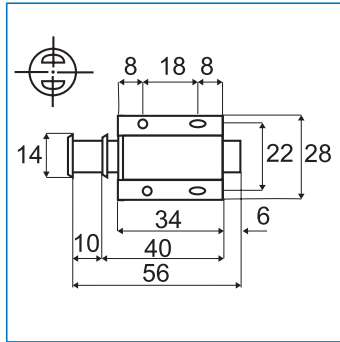
MAGNETIC TOUCH LATCH

- SINGLE
Screw on - No striker included
- round type

Finish: black plastic # 22.01.070
Fixation: c.c. 22 mm

Packing

250 pcs per box
1000 pcs per export carton



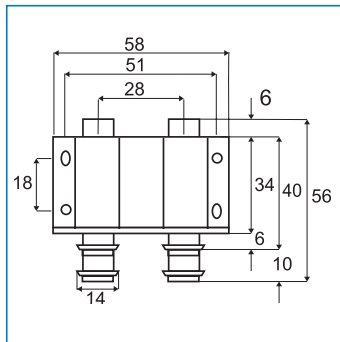
MAGNETIC TOUCH LATCH

- DOUBLE
Screw on - no striker included
- round type

Finish: black plastic # 22.01.088
Fixation: c.c. 18 mm/51 mm

Packing

500 pcs per box



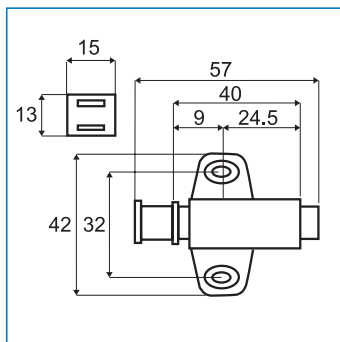
MAGNETIC TOUCH LATCH

- SINGLE
Screw on - no striker included
- square type

Finish: black plastic # 22.01.075
Fixation: c.c. 32 mm

Packing

250 pcs per box
1000 pcs per export carton



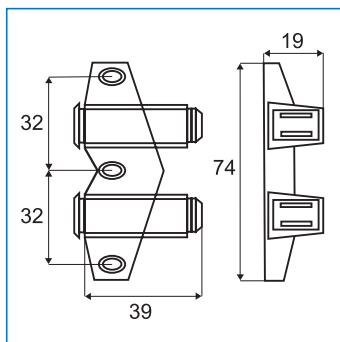
MAGNETIC TOUCH LATCH

- DOUBLE
Screw on - no striker included
- square type

Finish: black plastic # 22.01.087
Fixation: c.c. 32 mm/64 mm

Packing

125 pcs per box
500 pcs per export carton



DOOR DAMPER "BLUES" FOR DRILLING

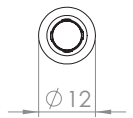
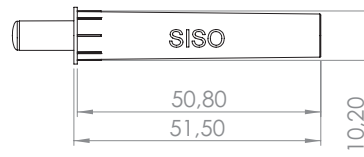
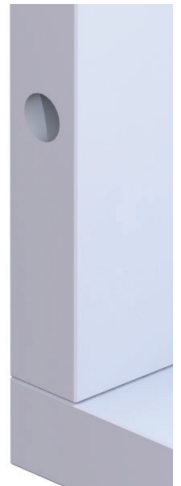
Application: Soft close damper for doors and drawers

Material: Grey ABS

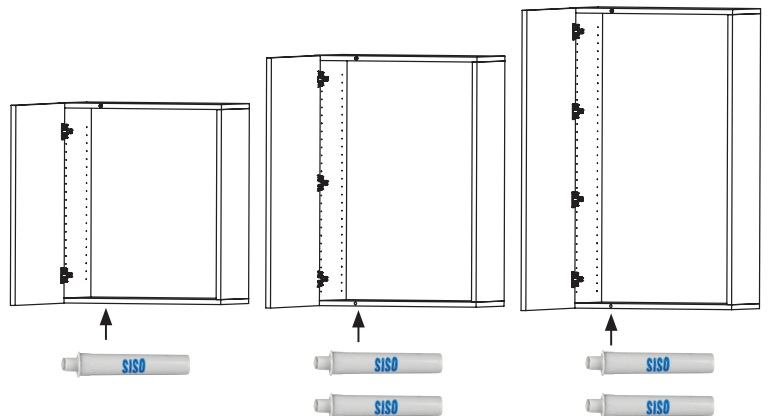
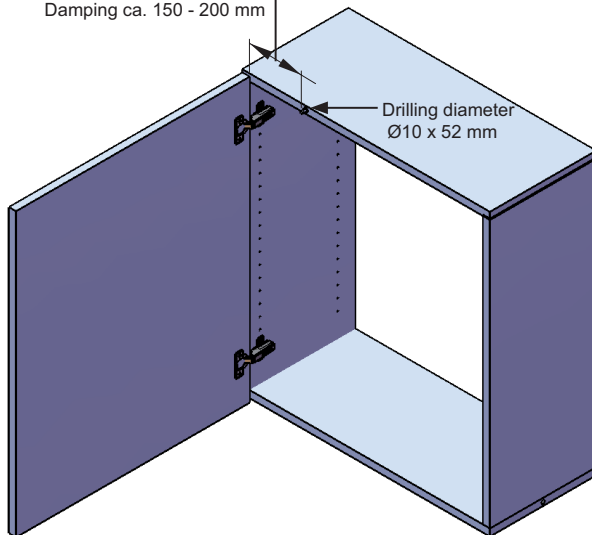
Overall size: Ø 10 x 50 mm

Item No.: # 15.04.517

LGA tested in Germany. Passed 80.000 cycles



- +
Damping ca. 150 - 200 mm



DOOR DAMPER BOX "BLUES" SCREW-ON

Application: Box for soft close damper

Material: Grey ABS

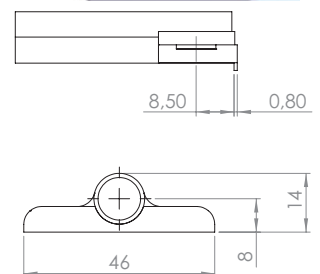
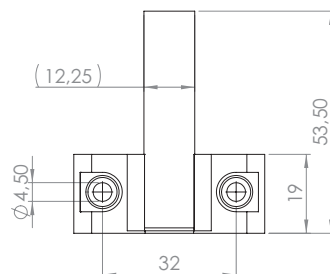
Overall size: 46 x 52 mm. c.c. 32 mm

Item No.: # 15.04.516

Damper and screws to be ordered separately



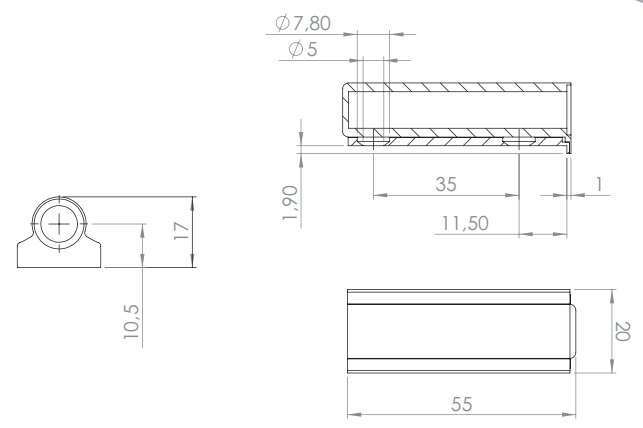
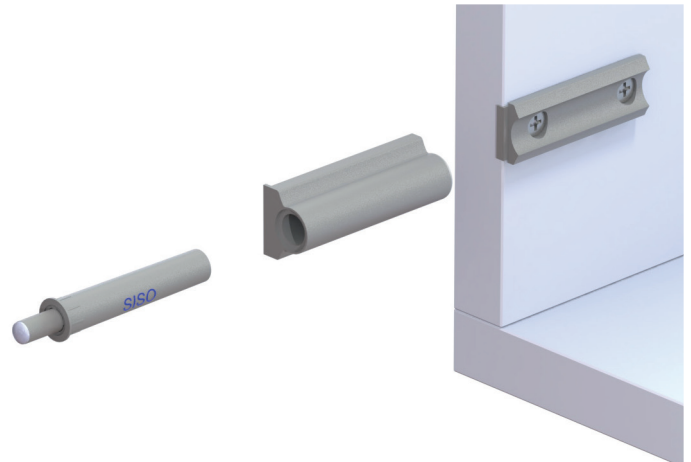
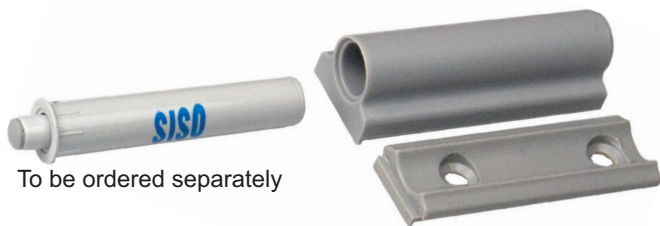
To be ordered separately



DOOR DAMPER BOX "BLUES"

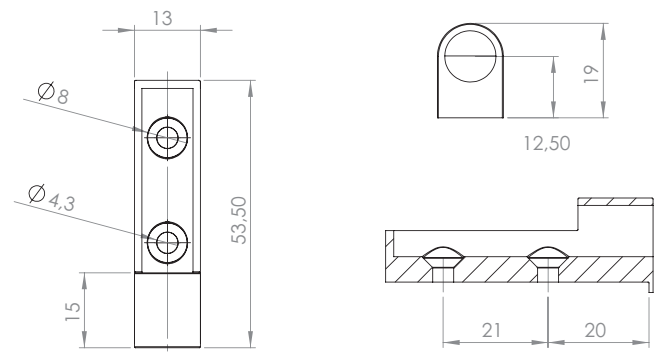
DOOR DAMPER BOX INVISIBLE "BLUES"

Application: Box for soft close damper
Material: Grey ABS
Overall size: 20 x 53,5 mm. c.c. 32 mm
Item No.: # 15.04.515
 Damper and screws to be ordered separately



DOOR DAMPER BOX INVISIBLE "BLUES"

Application: Box for soft close damper
Material: Grey ABS
Overall size: 13 x 53,5 mm. c.c. 21 mm
Item No.: # 15.04.514
 Damper and screws to be ordered separately



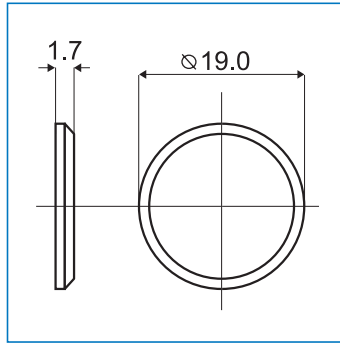
STRIKING PLATES

- high quality furniture fittings

ROUND STRIKER - SELF ADHESIVE For Rigid Fixation - Stick On Type

Material: Steel
Diameter: Ø19 mm

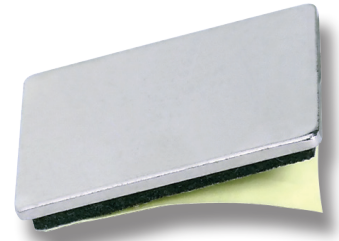
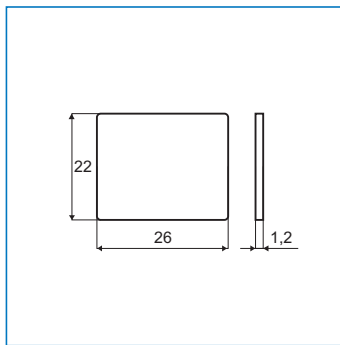
Item No.:
Nickel plated # 22.01.118



SQUARE STRIKER - SELF ADHESIVE For Rigid Fixation - Stick On Type

Material: Steel
Size: 26 x 22 mm

Item No.:
Nickel plated # 22.01.127

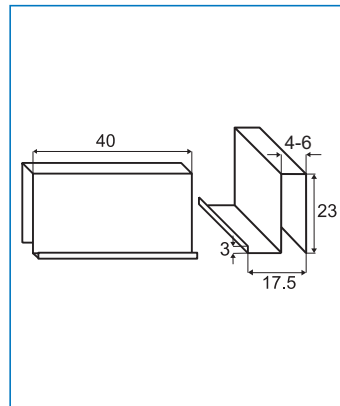


CATCH PLATE - GLASS with Handle & Pad

Material: Steel
Size: 23 x 40 mm
4-6 mm glass thickness

Item No.:
Chrome plate # 22.03.015
Black anodized # 22.03.016
Brass plated # 22.03.017

Packing
200 pcs per box
1000 pcs per export carton

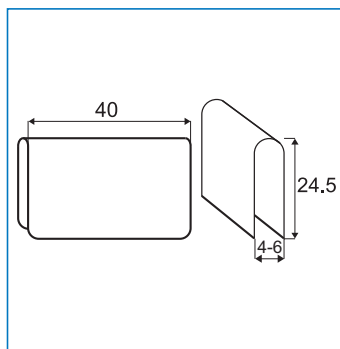


CATCH PLATE - GLASS With Pad

Material: Steel
Size: 40 x 25 mm
4-6 mm glass thickness

Item No.:
Black anodized # 22.03.111
Chrome plated # 22.03.115

Packing
200 pcs per box
1000 pcs per export carton



SLIDING BOLTS

SLIDING BOLT "BALL" – Straight bolt

Specifications:

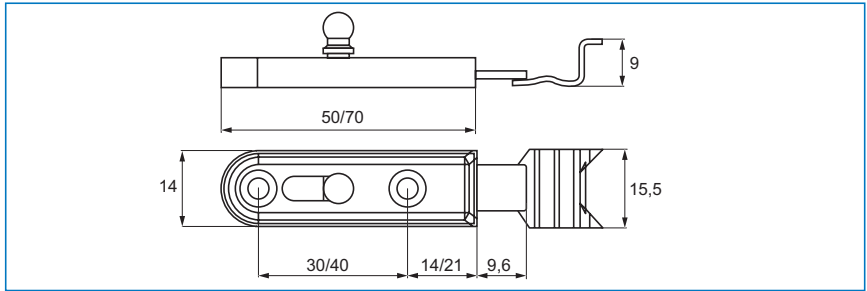
Straight bolt
W/L-shaped stopper w/spikes
Round knob & rear

Material: Steel – nickel plated

Size: 50 x 14 mm & 70 x 14 mm

Item No.:

50mm - NPL # 22.06.004
70mm - NPL # 22.06.007



SLIDING BOLT "BALL" – Cranked bolt

Specifications:

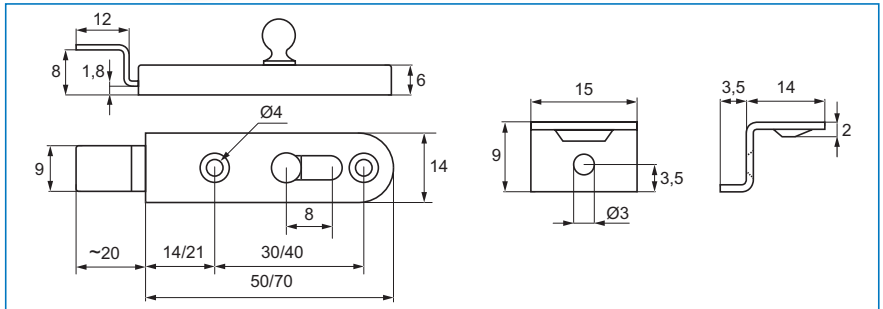
Cranked bolt
W/L-shaped stopper w/spikes
Round knob & rear

Material: Steel - nickel plated

Size: 50 x 14 mm & 70 x 14 mm

Item No.:

50mm - NPL # 22.06.010
70mm - NPL # 22.06.040



SLIDING BOLT "FLAT" – Straight bolt

Specifications:

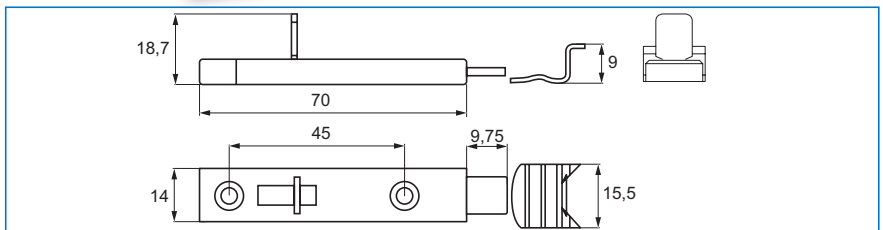
Straight bolt
W/L-shaped stopper w/spikes
Flat knob & rear

Material: Steel

Size: 70 x 14 mm

Item No.:

Brass Pl. # 22.06.012
Nickel Pl. # 22.06.013



SLIDING BOLT "PLASTIC" – Straight bolt

Specifications:

Straight bolt
W/L-shaped stopper
Round knob & rear

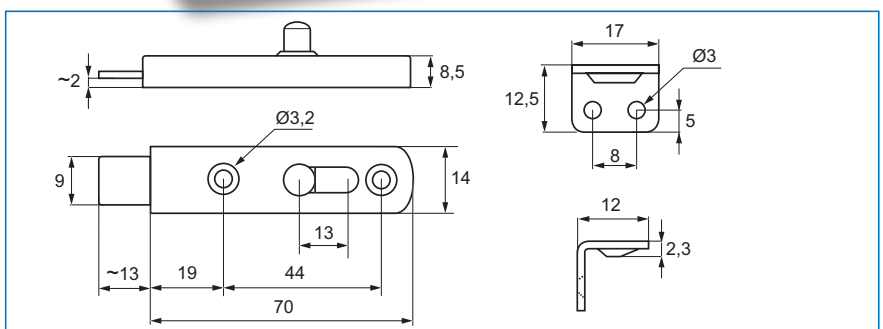
Material:

Body: Plastic
Stop & bolt: Steel

Size: 70 x 14 mm

Item No.:

Black/NPL # 22.06.016
Alu color/NPL # 22.06.018



MIRROR SCREWS W/CAP

- high quality furniture fittings

Application:

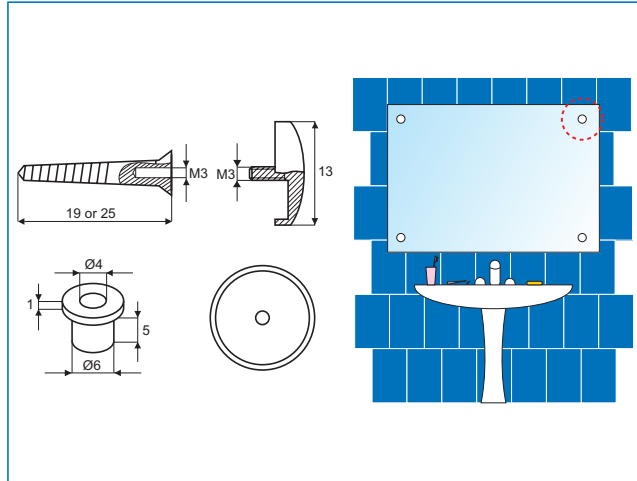
Fixing of mirrors.
Drilling in glass required.

Consists of:

Steel NPL screw,
plastic bushing & brass cover cap.

Ø4 x 19 mm screw. Ø13 mm cap
Chrome plated # 22.05.140

Ø4 x 25 mm screw. Ø13 mm cap
Chrome plated # 22.05.145



MIRROR OR GLASS CLIP

Application:

For safe mounting of mirrors or other glass panels of 4 mm thickness.

Material:

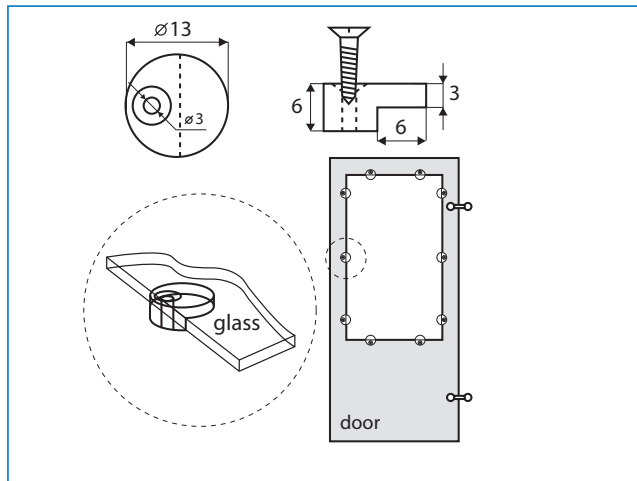
Plastic transparent

Screw holes: Ø3 mm

Item No.: # 22.05.200

Option:

Also available for other glass thickness upon special request or inquiry.
Other colour available.



MIRROR CLIPS W/SPRING

Application:

Fixing of mirrors.
No drilling in glass required.

Consists of:

2 spring loaded top clips
& 2 fixed bottom clips.

Glass thickness:

5 mm
Screw holes Ø5 mm

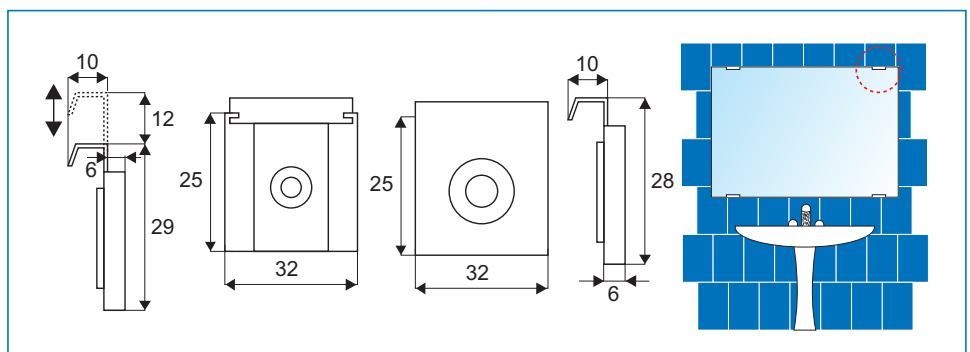
Finish:

Steel, nickel plated # 22.05.100
Stainless steel 304 # 22.05.105

Packing:

400 sets per carton

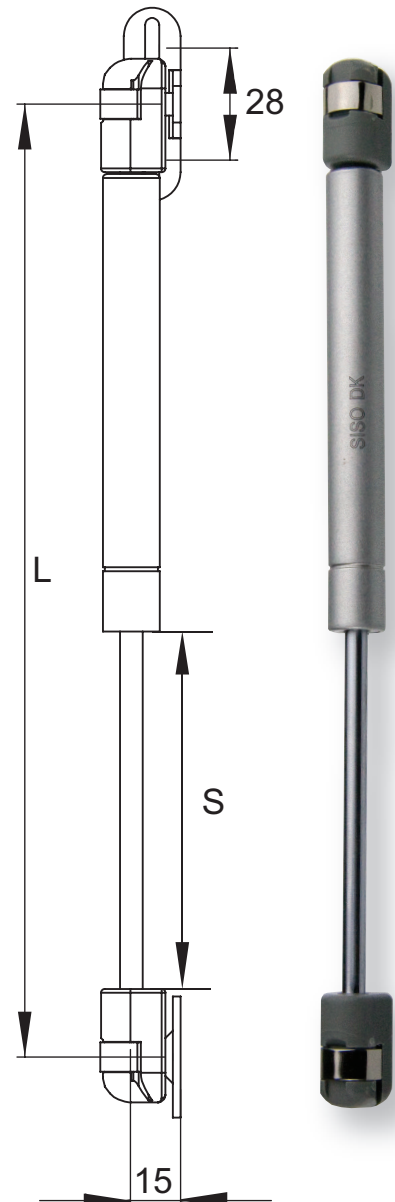
W/screws and wall plugs



PNEUMATIC EXPANSION SPRING



15.11.454



Material: Steel, Silver/Nickel plated

Size: Piston Ø6 mm
Cylinder Ø15 mm

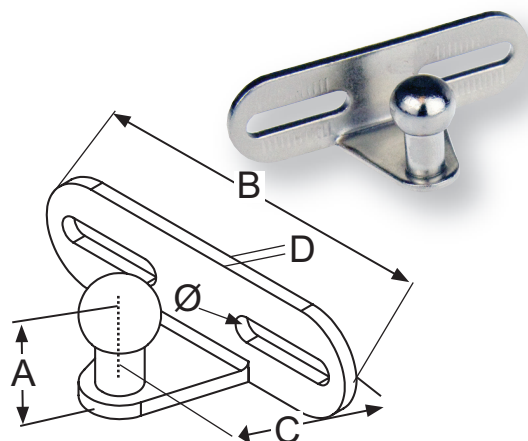
Stroke (S): 92 mm

L	S	Material	Force	Item No.:
247 mm	92 mm	Steel	60N	# 15.11.439
247 mm	92 mm	Steel	80N	# 15.11.440
247 mm	92 mm	Steel	100N	# 15.11.441
247 mm	92 mm	Steel	120N	# 15.11.442

Mounting bracket to be ordered separately. See next page

SGS test: 60.000 cycles

L-MOUNTING BRACKET

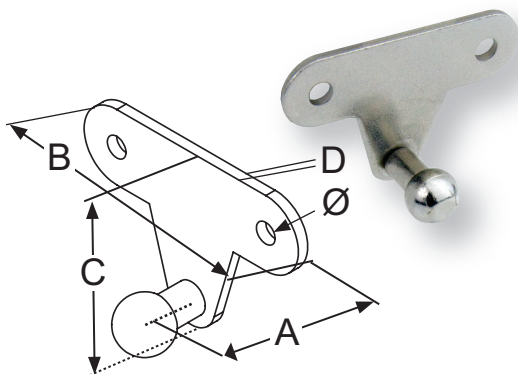


Material: Steel, Nickel Plated (NPL)

A	B	C	D	Ø	Item No.
16,5 mm	51 mm	15 mm	2 mm	Ø4 x 17 mm	# 15.11.458

Incl. 2 Nickel plated wood screws, PZD, Ø3,5 x 16 mm

FLAT T-SHAPED MOUNTING BRACKET

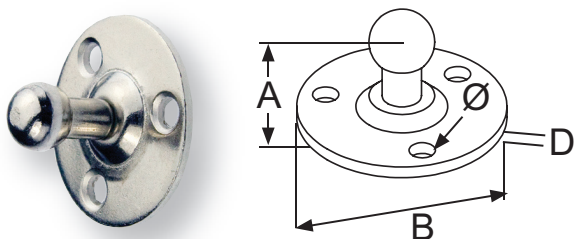


Material: Steel, Nickel Plated (NPL)

A	B	C	D	Ø	Item No.
14 mm	46 mm	31,5 mm	2 mm	4,5 mm	# 15.11.462

Incl. 2 Nickel plated wood screws, PZD, Ø3,5 x 16 mm

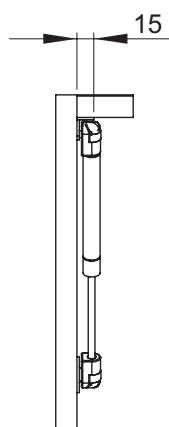
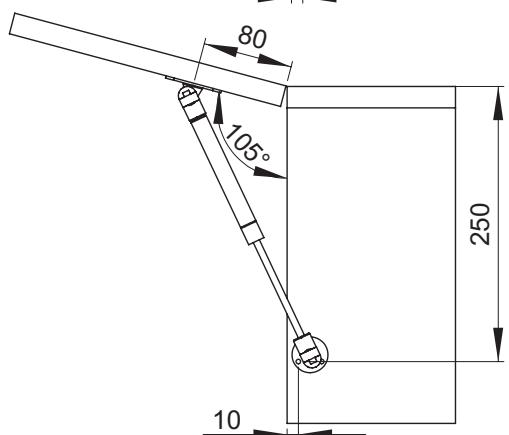
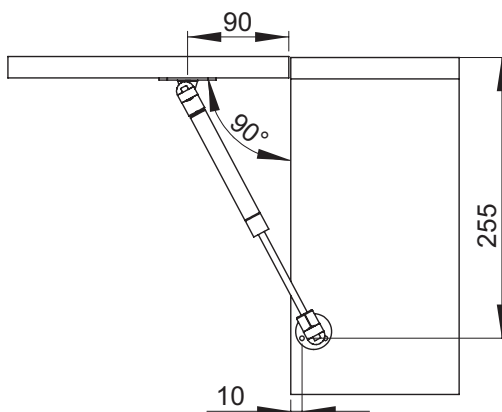
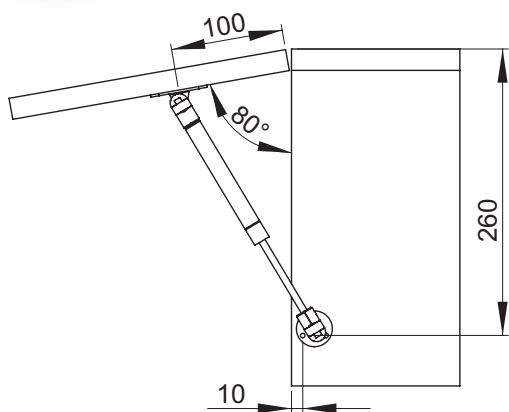
ROUND MOUNTING BRACKET



Material: Steel, Nickel Plated (NPL)

A	B	D	Ø	Item No.
16 mm	31 mm	2 mm	4 mm	# 15.11.454

Incl. 3 Nickel plated wood screws, PZD, Ø3,5 x 16 mm



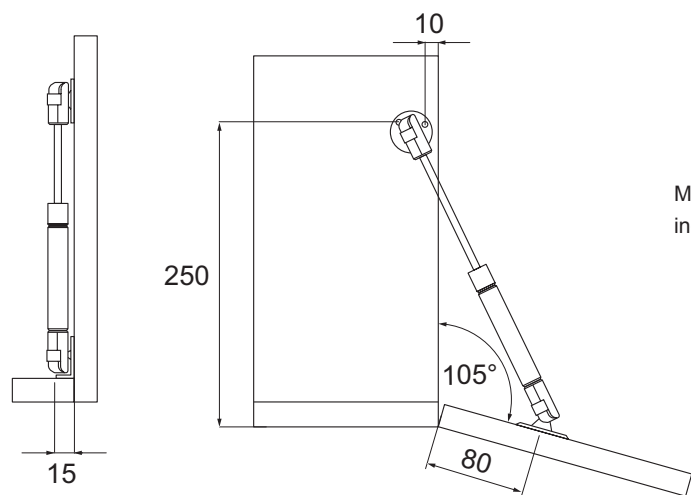
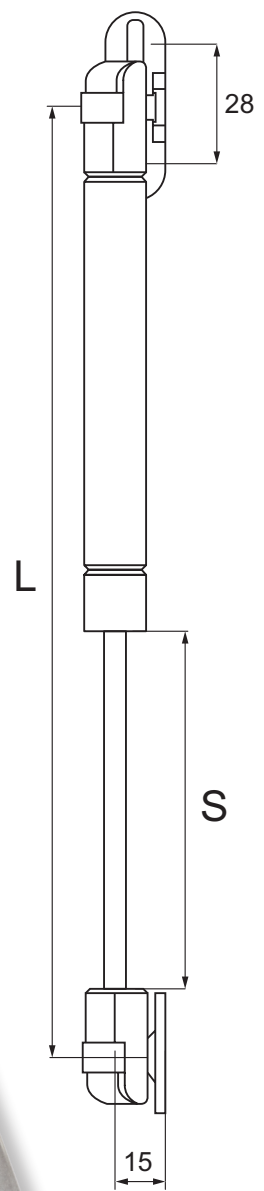
PNEUMATIC DROP DOWN SPRING

Material: Steel, Silver/Nickel plated

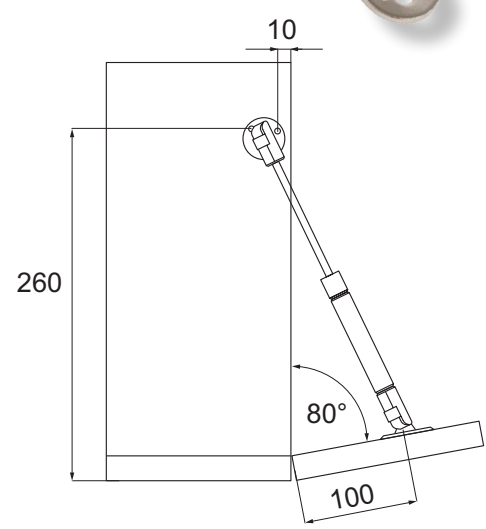
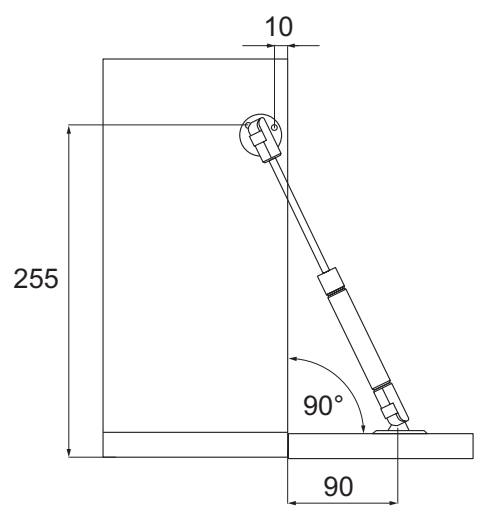
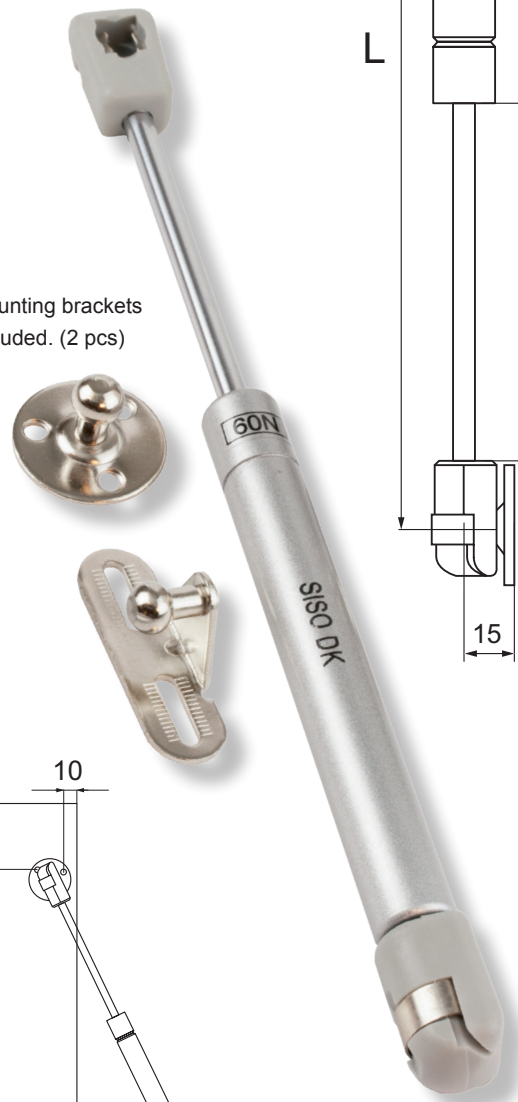
Size: Piston $\varnothing 6$ mm
Cylinder $\varnothing 15$ mm

Stroke (S): 92 mm

L	S	Material	Force	Item No.
247 mm	92 mm	Steel	60N	# 15.11.443
247 mm	92 mm	Steel	80N	# 15.11.444
247 mm	92 mm	Steel	100N	# 15.11.445
247 mm	92 mm	Steel	120N	# 15.11.446



Mounting brackets included. (2 pcs)



FLAP STAY "FENG"

- high quality furniture fittings



Application:

For cabinets, cushion boxes, toy boxes ect.

Specifications:

Flap can be held at any angle
Adjust friction force according to flap door dimensions and weight by use of hex key.
Click-on mounting brackets.

Opening: Max 100°

Weight: See chart

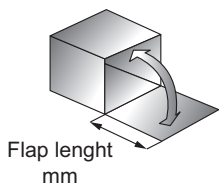
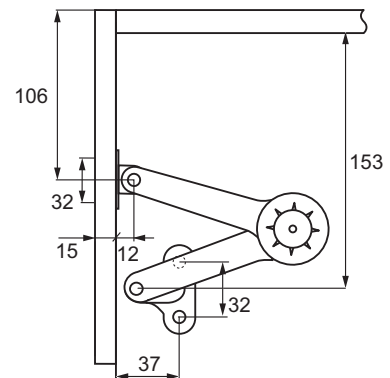
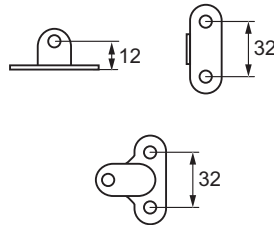
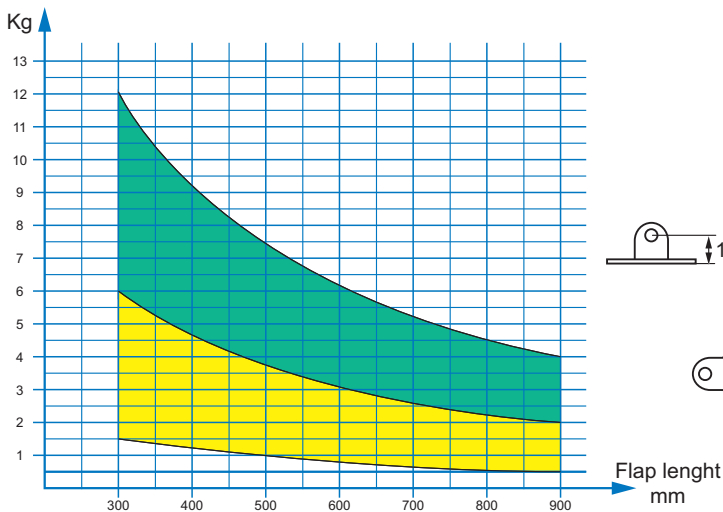
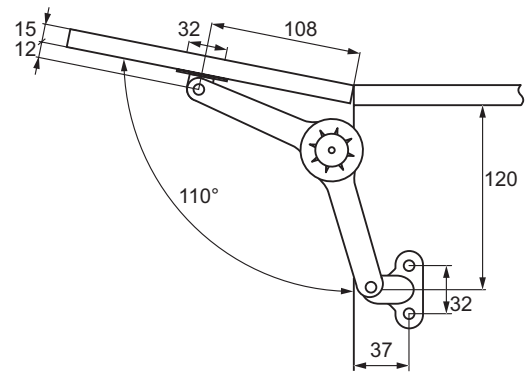
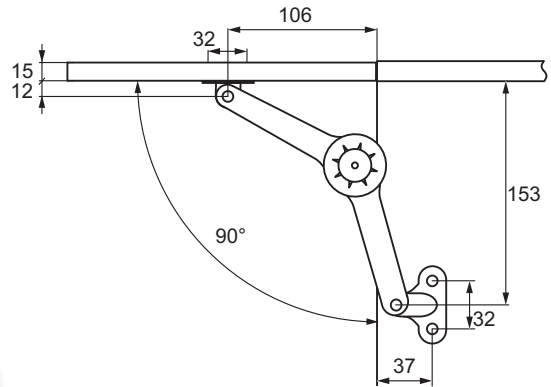
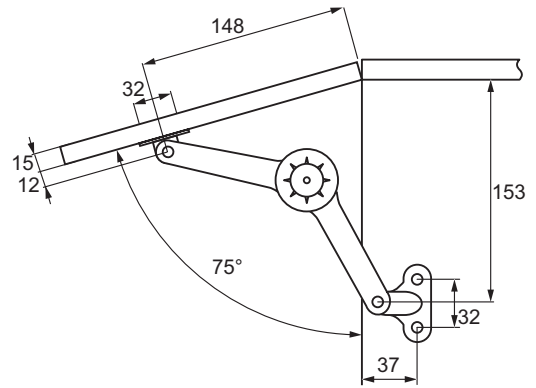
Material:

Flap stay made of zamak - NPL
Mounting brackets steel – NPL

One flap stay consists of:

- 1 x flap stay
- 1 x flat mounting bracket
- 1 x L-shaped mounting bracket
- 4 x fixing screws for mounting bracket
- 1 x hex key 4 mm

Item No.: # 15.10.390



Use one



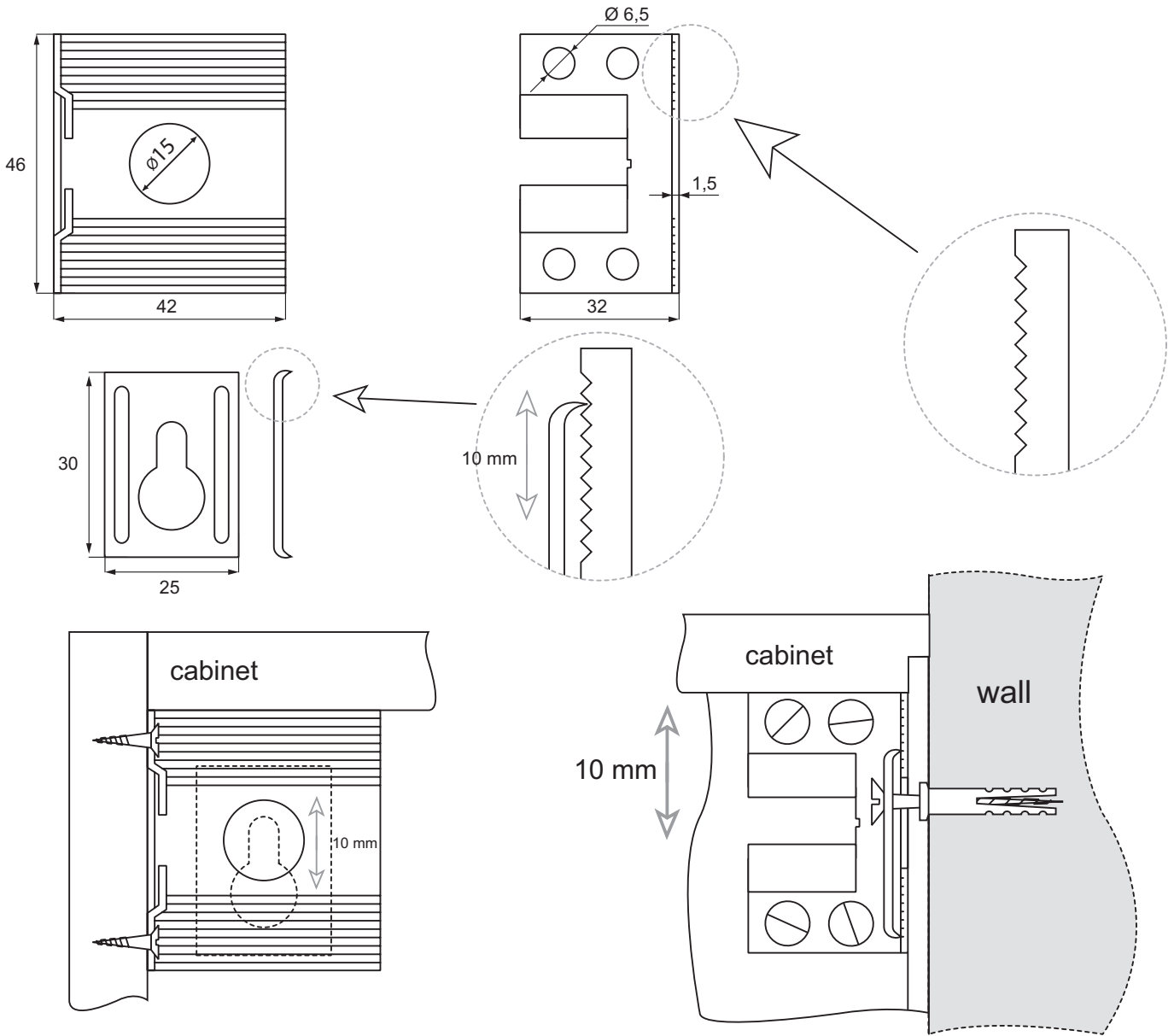
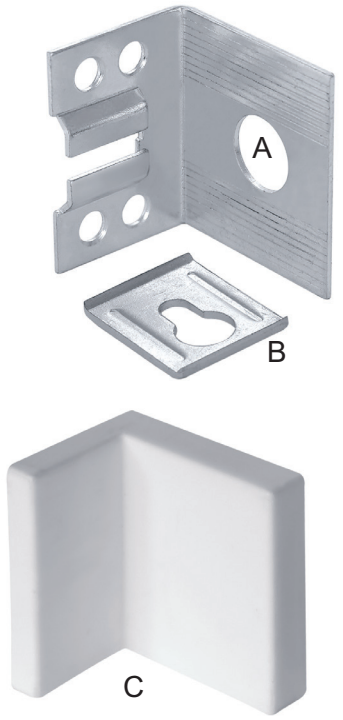
Use two together

CABINET SUSPENSION FITTING "AEKI"

Material:
 Cover Cap - plastic
 Brackets - Steel, bright zinc plated

- Mounting instruction:**
1. Fasten part "A" to the top corners of the cabinet
 2. Mark on the wall the point for drilling inside the round hole "A"
 3. Place the cabinet onto the wall with round holes of part "A" to be placed onto the screws already premounted in the wall
 4. Place part "B" onto the screws and onto the part "A" as illustrated
 5. Tighten the wall screw and hide part "A/B" with cover cap

Item No.: # 22.08.000



CABINET SUSPENSION FITTING "SLOV"

- high quality furniture fittings

Material:

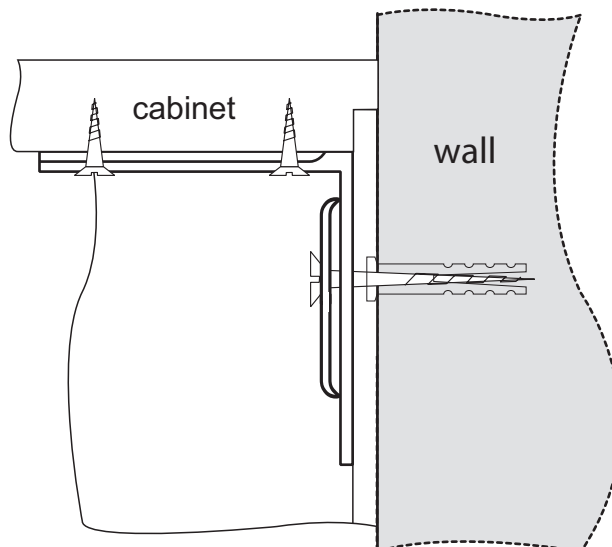
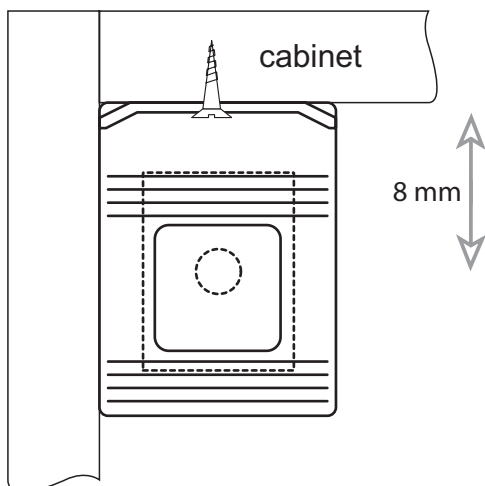
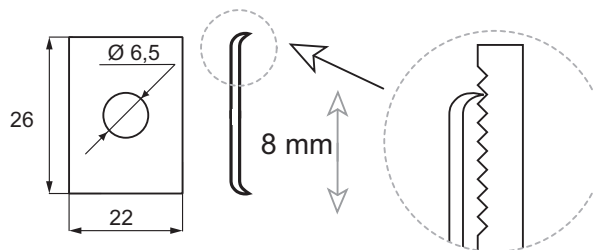
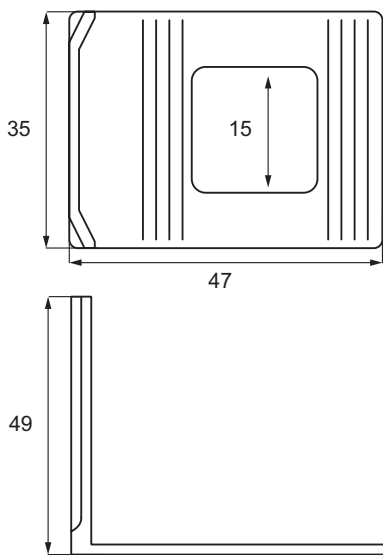
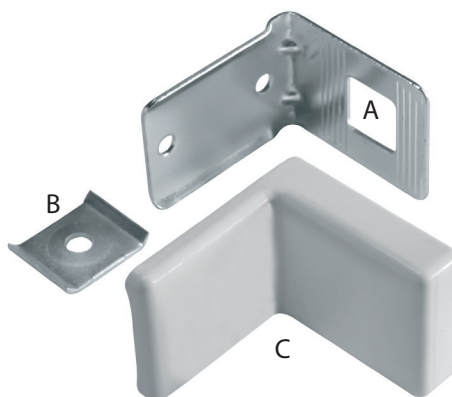
Cover Cap - plastic
 Brackets - Steel, bright zinc plated

Mounting instruction:

1. Fasten part "A" to the top corners of the cabinet
2. Mark on the wall the point for drilling inside the square hole "A"
3. Place the cabinet onto the wall with square hole of part "A" over the screw hole in the wall
4. Insert the screw into part "B" and tighten the wall screw
5. Hide part "A" & "B" with the plastic cover cap

Item No.:

Beige	# 22.08.004
White	# 22.08.005
Brown	# 22.08.006
Beech colour	# 22.08.007
Oak colour	# 22.08.008
Cherry colour	# 22.08.009



WARDROBE SLIDE & CABINET HANGER

CABINET HANGER "CLIFF"

Ideal for hanging up cabinets or panels.

Material: PC, Black

Max load capacity pr. set 20 kg

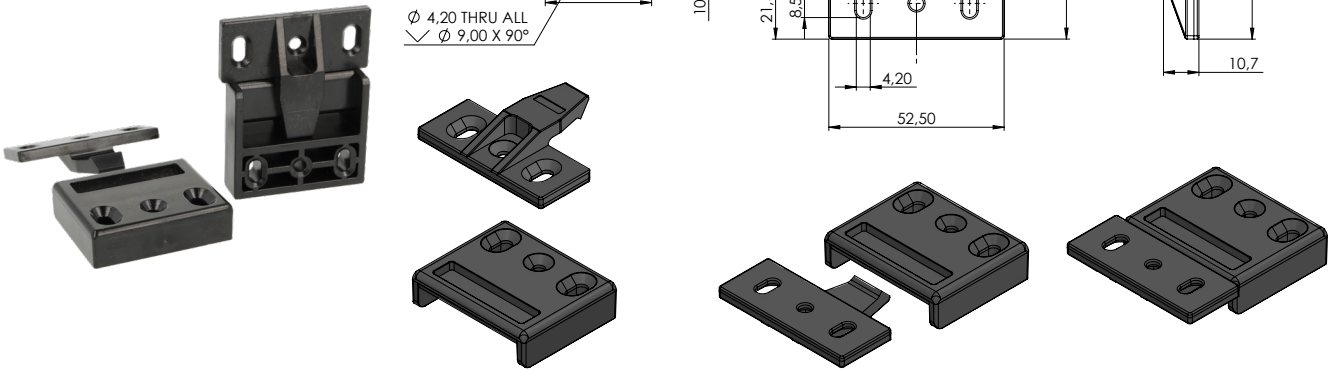
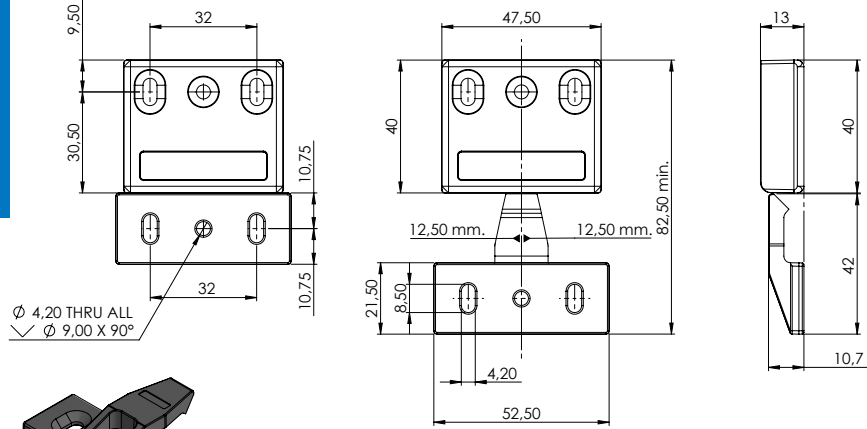
Panel distance: 13 mm

Horizontal adjustment: $\pm 12,5$ mm

Item No.:

Male part #11.05.650

Female part #11.05.651



WARDROBE SLIDE HANGER

Application:

The perfect solution for wardrobes which are relatively slim or for people who just want to utilize the space in their wardrobe better.

Material:

Steel & ABS plastic

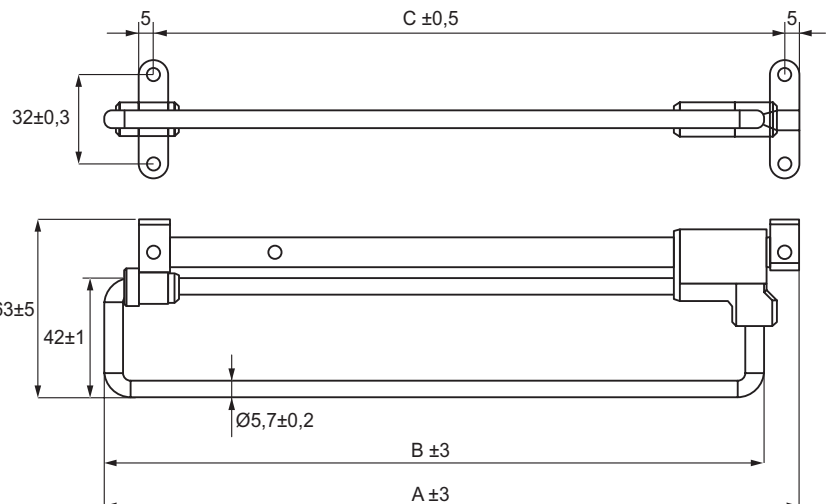
Finish:

Wire and brackets: nickel plated
Plastic runner: black

Size:

From 250 to 500 mm

Fixation: Wood screws $\varnothing 4$ x 16 mm



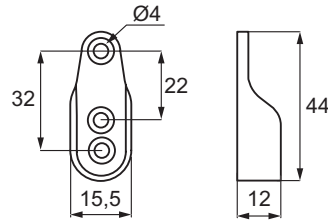
A	B	C	Item No.:
250 mm	235 mm	223 mm	# 22.07.096
300 mm	285 mm	276 mm	# 22.07.100
350 mm	335 mm	325 mm	# 22.07.106
400 mm	385 mm	375 mm	# 22.07.111
450 mm	435 mm	423 mm	# 22.07.116
500 mm	485 mm	473 mm	# 22.07.121

MODEL D9 - F/Oval tubes

Material: Zamak - NPL

Size: 44 x 15,5 mm, cc: 32mm - Ø4 mm

Item No.: # 22.20.007

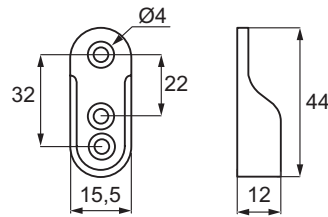


MODEL D10 - F/Oval tubes

Material: Zamak - NPL

Size: 44 x 15,5 mm, cc: 32mm - Ø4 mm

Item No.: # 22.20.005

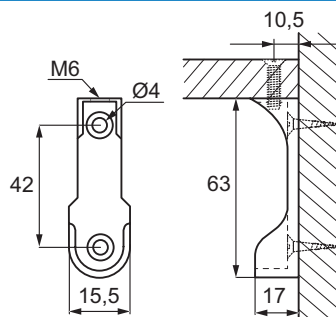


MODEL D11 - F/Oval tubes - W/M6 hole f/top mounting

Material: Zamak - NPL

Size: 63 x 15,5 mm, cc: 42mm - Ø4 mm

Item No.: # 22.20.021

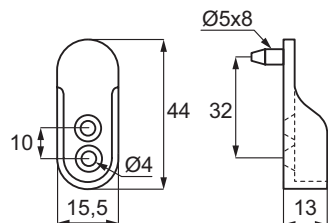


Model D13 - F/Oval tubes - W/1 pin

Material: Zamak - NPL

Size:
Body: 44 x 15,5 mm, cc: 10 mm - Ø4 mm
Pin: Ø5 x 8 mm, cc: 32 mm

Item No.: # 22.20.045

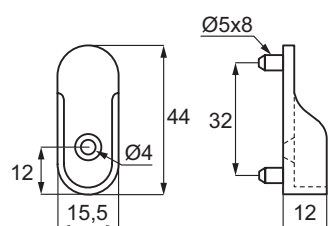


MODEL D15 - F/Oval tubes - W/ 2 pins

Material: Zamak - NPL

Size:
Body: 44 x 15,5 mm, 1 screw hole Ø4 mm
Pins: Ø5 x 8 mm, cc: 32 mm

Item No.: # 22.20.011

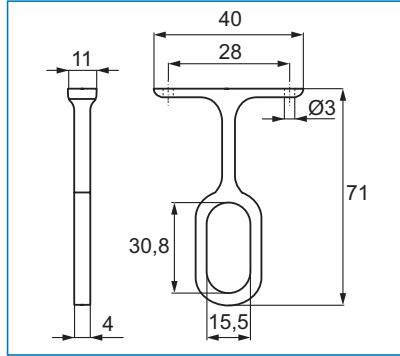


MODEL D14 - F/Oval tubes - centre

Material: Zamak - CPL

Size: 71 x 15,5 mm

Item No.: # 22.20.030

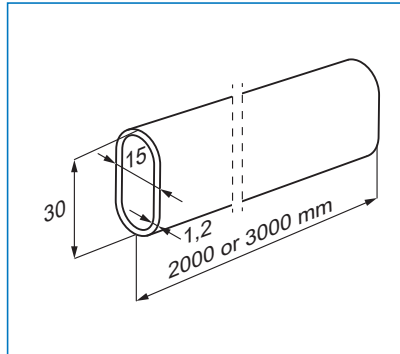


OVAL WARDROBE TUBES

Material: Steel – chrome plated

Size: 30 x 15 x 1,2 mm

Item No.:
2000 mm # 22.20.400
3000 mm # 22.20.420

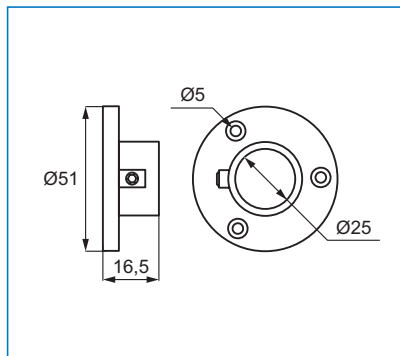


MODEL D18 - F/round tubes - Ø25 mm
- W/tightening screw 3 mm hex

Material: Zamak - CPL

Size: Ø51 x 16,5 mm –screw holes Ø5 mm

Item No.: # 22.20.057

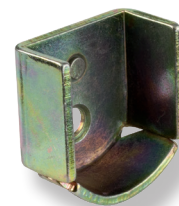
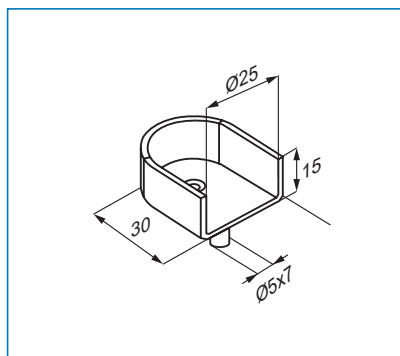


MODEL D20 - F/round tubes – Ø25 mm

Material: Steel - YZP

Size:
Body: Ø30 x 15 mm – screw hole Ø5 mm
Pin: Ø5 x 7 mm

Item No.: # 22.20.070

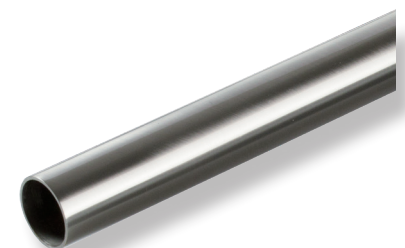
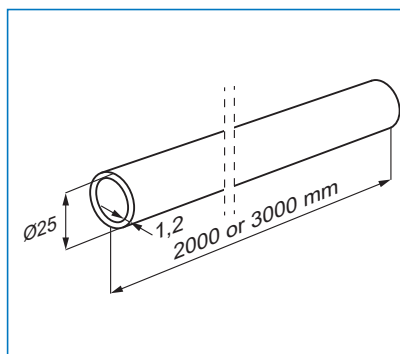


ROUND WARDROBE TUBES

Material: Steel - chrome plated

Size: Ø25 x 1,2 mm

Item No.:
2000 mm # 22.20.xxx
3000 mm # 22.20.xxx



SHOE CABINET FITTING "SHOE BOY"

- high quality furniture fittings



Material:

Polystyrene (PS) - white

Size:

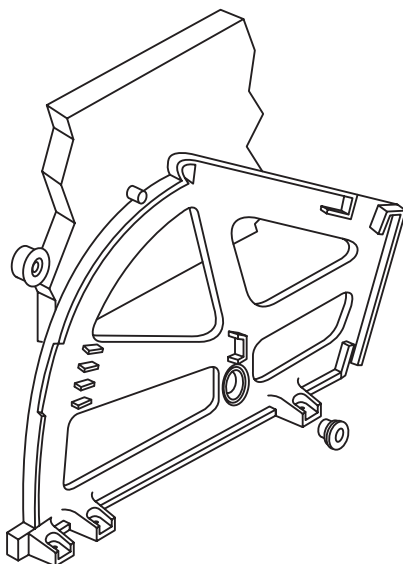
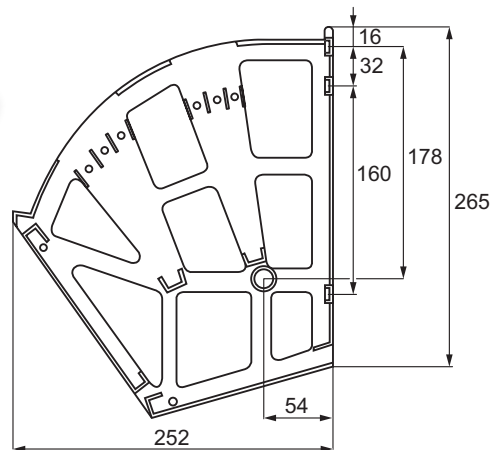
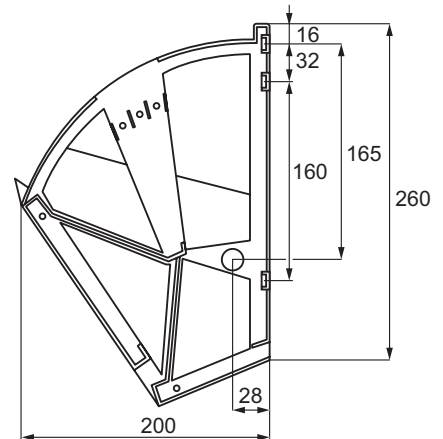
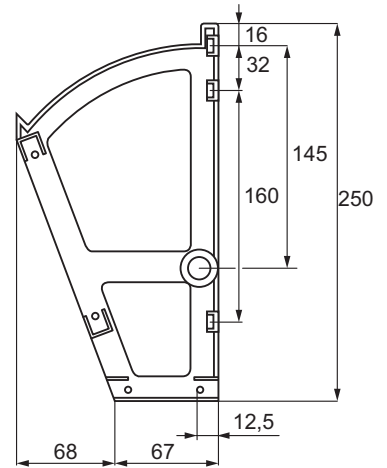
- 1 opening
- 2 openings
- 3 openings

One set consists of:

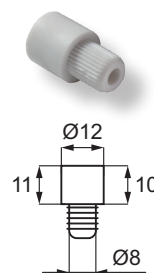
- 1 left – max panel thickness 10 mm
- 1 right – max panel thickness 10 mm
- 2 stoppers – bore Ø8 x 10 mm
- 2 female screw-on bushings – bore Ø20 x 8 mm
- 2 male screw-on bushings

Item No.:

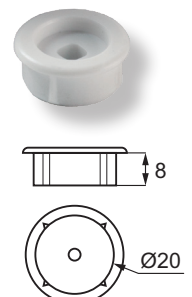
- 1 opening – left # 22.07.206
- 1 opening – right # 22.07.207
- 2 opening – left # 22.07.211
- 2 opening – right # 22.07.212
- 3 opening – left # 22.07.231
- 3 opening – right # 22.07.232
- Female bushing # 22.07.240
- Male bushing # 22.07.241
- Stopper # 22.07.242



22.07.241



22.07.242



22.07.240

DRAWER STOP – FOR CHILDREN SAFETY

Application:

For drawers & cabinets.
Stops the drawer after 5 - 6 cm

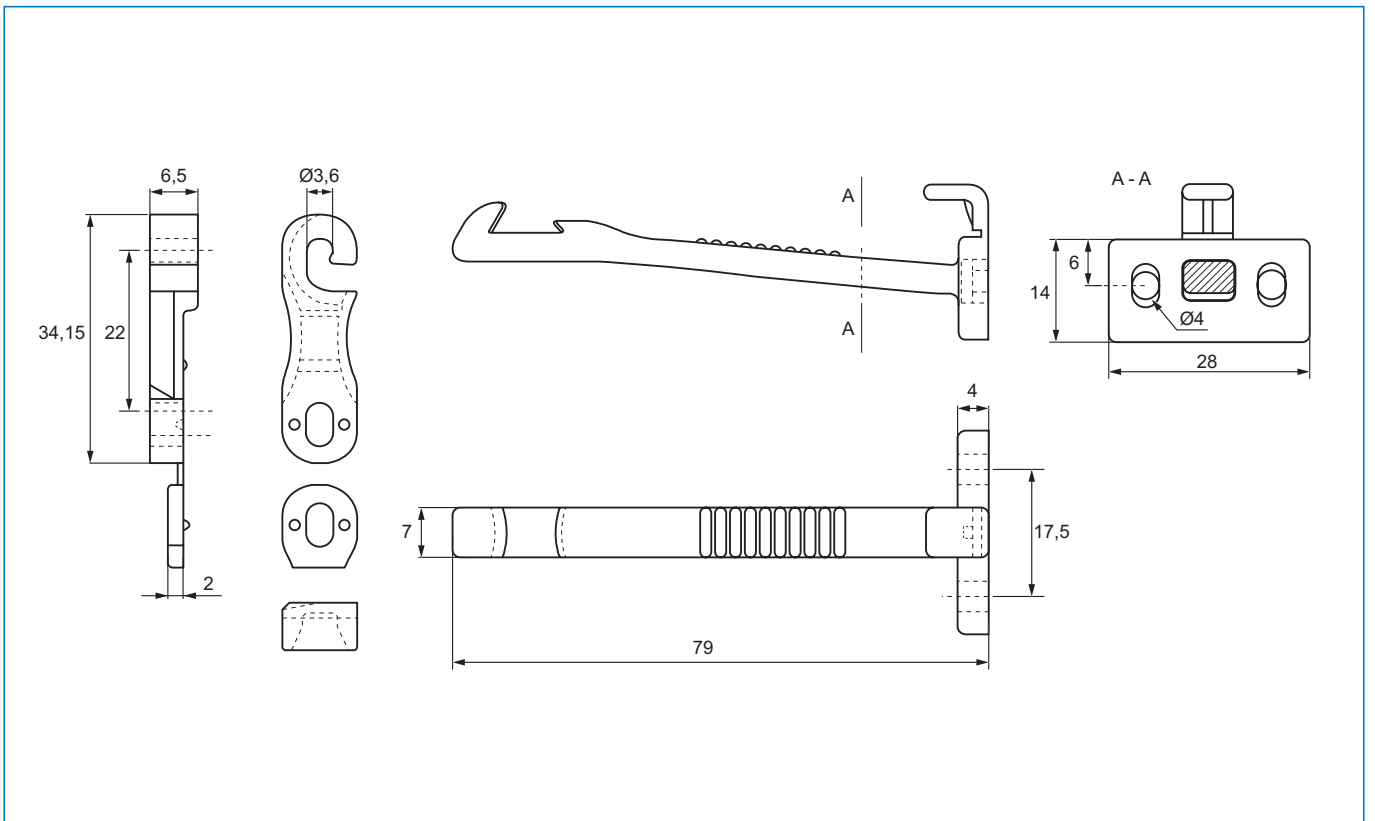
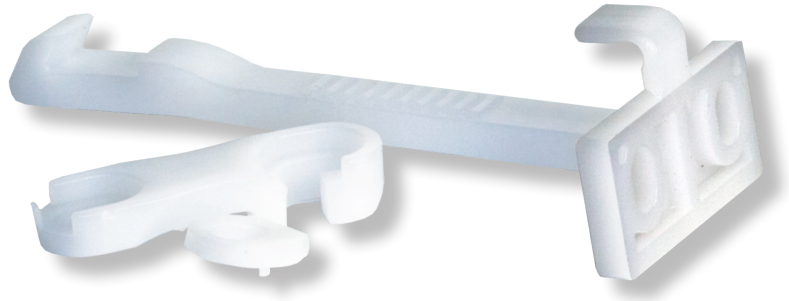
Material:

White POM

Consists of:

- 1 catch arm
- 1 striker
- No screws included

Item No.: # 22.04.110



SLIDING DOOR FITTINGS "CLASSIC"

- high quality furniture fittings



Application:
Sliding system for wooden cabinets

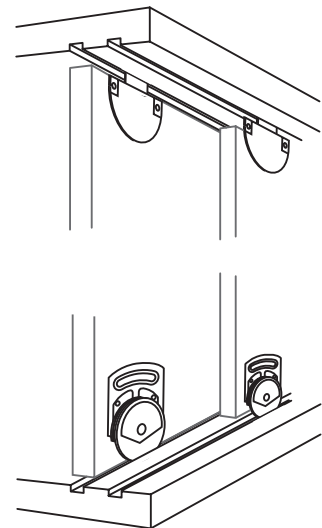
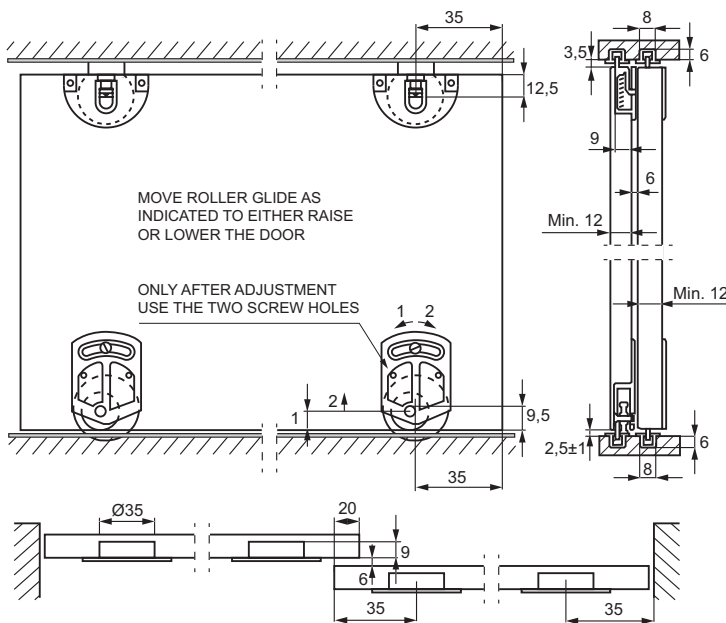
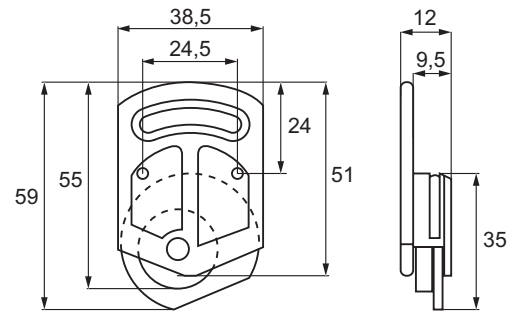
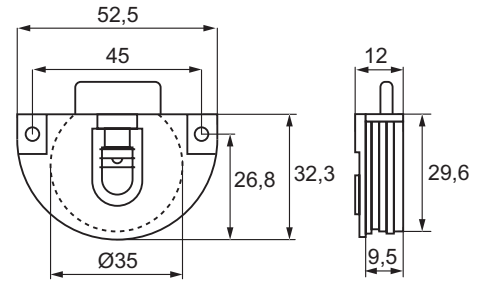
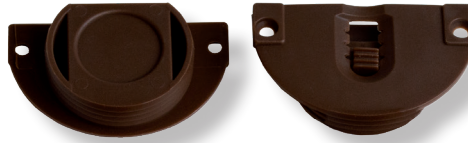
Specifications:
Bore: Ø35 x 9,5 mm

Material:
Plastic

Load capacity: 18 kg pr. door

One set consists of:
2 top guides w/lock-release button
2 rollers w/height adjustment
8 fixing screws

Item No.:
Brown # 22.27.110
White # 22.27.111
Black # 22.27.112

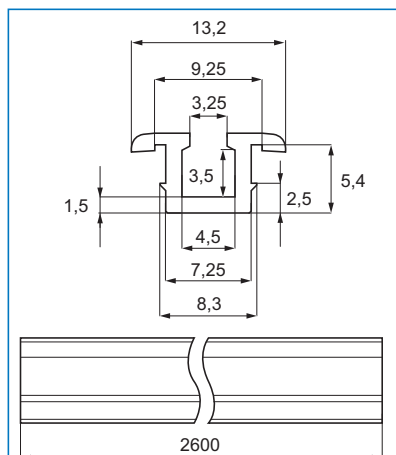


U-RAIL F/SLIDING SYSTEM "CLASSIC"

Application:
To be used in top & bottom of the cabinet

Specifications:
Groove: 8 x 6 mm
Material: Plastic
Size: 2600 mm length

Item No.:
Brown # 22.27.125
White # 22.27.126
Black # 22.27.127



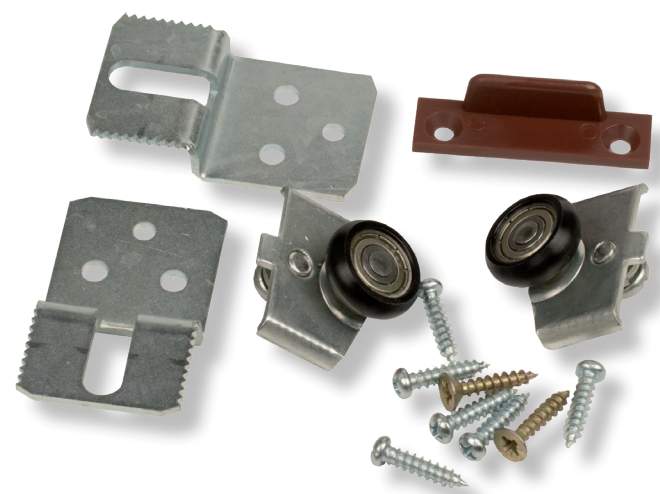
SLIDING DOOR SYSTEM KG-30

Application:
For wooden sliding doors

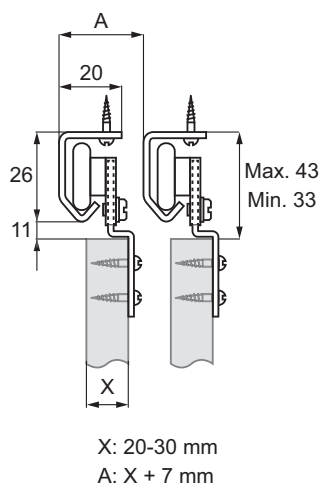
Specifications:
Vertical adjustment mechanism +/-12 mm
Min. panel thickness: 16 mm
Max. door weight: 30 kg
Min. door gap: 7 mm

One set consists of:
2 wheels w/ball bearings - black/zinc Pl.
2 steel hanging brackets - zinc Pl.
1 floor guide – brown plastic
8 fixing screws

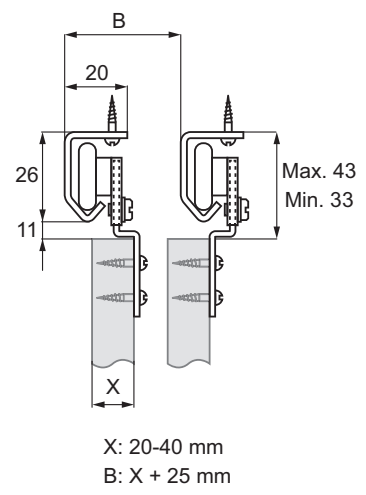
Item No.: # 28.25.000



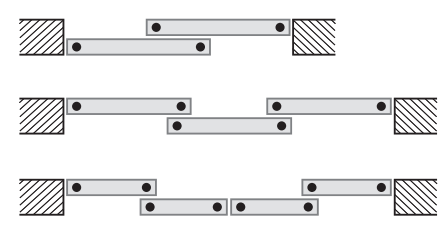
Standard installation



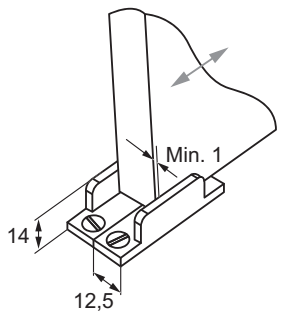
For extra narrow door gap



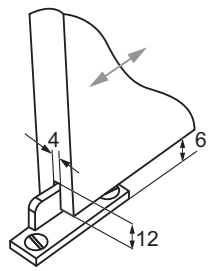
Installation possibilities



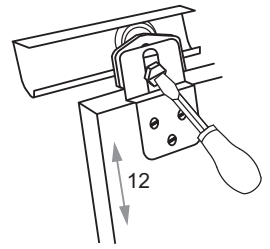
Floor guide installation - no milling



Floor guide installation - milling required



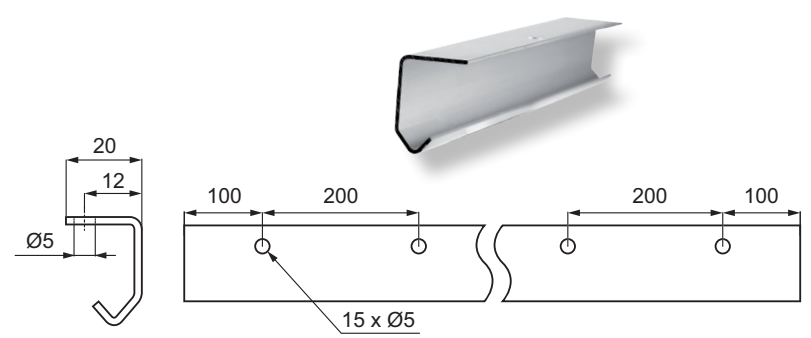
Vertical adjustment



ALUMINIUM UPPER PROFILE

Finish: Anodized

Item No.:
2 meters # 28.24.965
3 meters # 28.24.966



SLIDING DOOR SYSTEM KG-50

- high quality furniture fittings

SISO
DENMARK

Application:

For wooden sliding doors

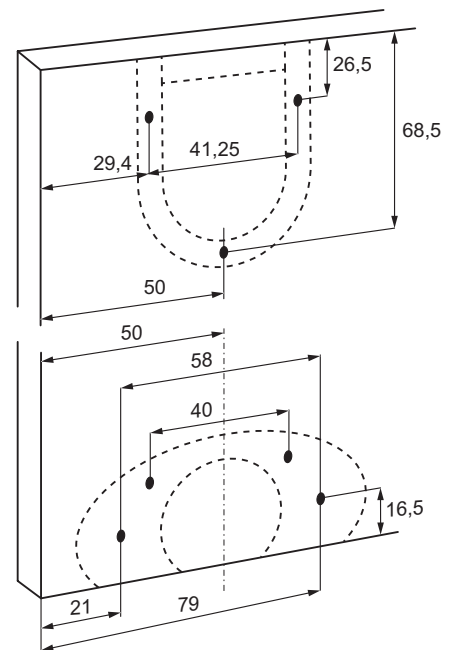
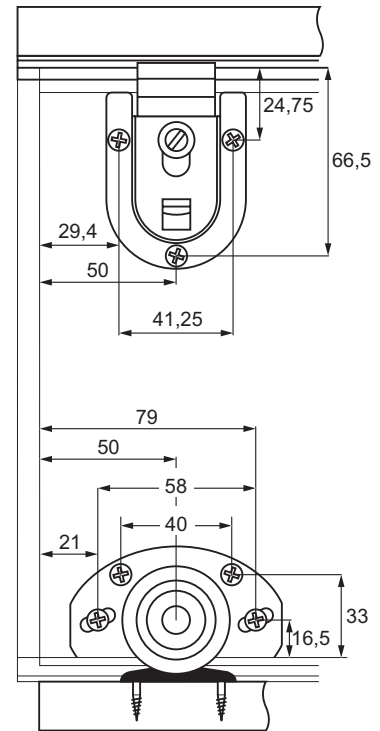
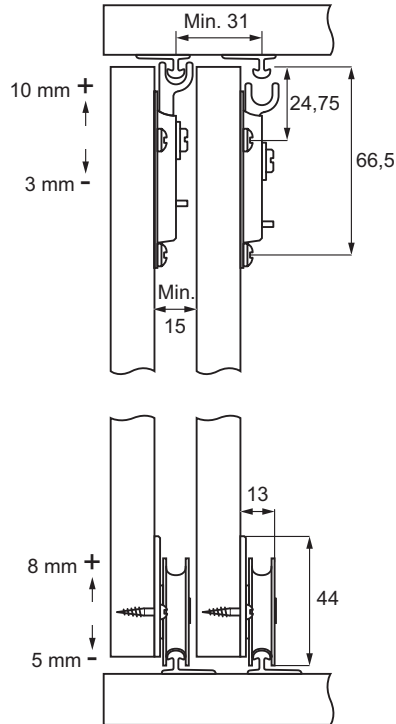
Specifications:

Vertical adjustment mechanism
+10/-3mm & +8/-5 mm
Min. panel thickness: 16mm
Max. door weight: 50 kg
Min. door gap: 15mm

One set consists of:

2 wheels w/ ball bearings - black/zinc Pl.
2 steel upper guide brackets - zinc Pl.
1 floor guide - brown plastic
16 fixing screws

Item No.: # 28.25.020

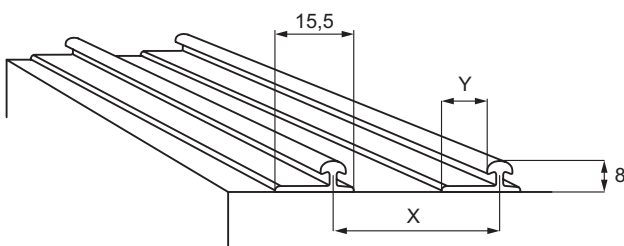
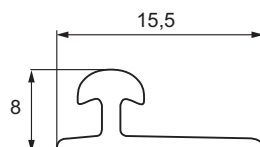


ALUMINUM PROFILES

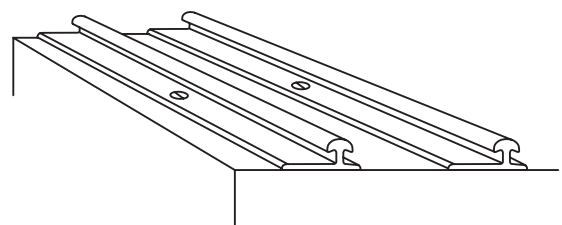
Item No.:

2 meters - anodized # 28.24.970

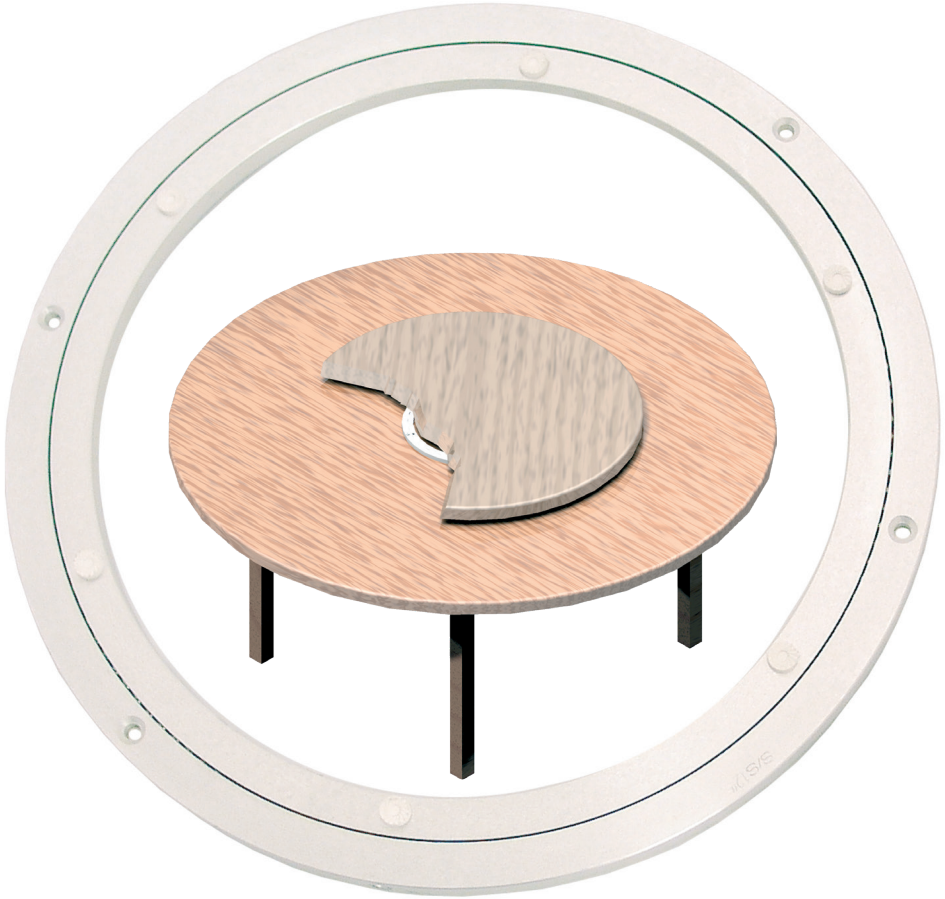
3 meters - anodized # 28.24.971



$$X = 15 + Y$$



LAZY SUSAN



LAZY SUSAN ALUMINIUM TURNTABLE

Material: Ring: 1st grade aluminium, Die Cast
 Balls: High grade stainless steel (grade 200)

Application: 360 Degree easy swivelling, apply to any kind of dining table, TV-stand, computer tables etc.
 Also perfect for outdoor use when using stainless steel ball bearings.

Sizes		Item. No.:	Load Capacity	Top		Bottom	
Outer diameter	Inner diameter			Out	In	Out	In
Ø304 x 12mm	Ø247mm	# 16.15.371	50-70 kg	White rubber Ø10 x 3,3 mm 6	Ø5,5 mm CSK Holes 4	Ø5,5 mm CSK Holes 4	White rubber Ø10 x 3,3 mm 6
Ø401 x 12mm	Ø338mm	# 16.15.382	80-100 kg	6	4	4	6
Ø600 x 12mm	Ø524mm	# 16.15.395	170-190 kg	8	4	4	8

SWIVEL PLATE – PLASTIC - Ø280 MM

- high quality furniture fittings

Material:

Plastic - black

Size:

Swivel: Ø280 mm

Knock-in bushing: Ø10 x 12 x M6

Bolt: M6 x 25 mm

Load capacity: 100 kg

Item No.:

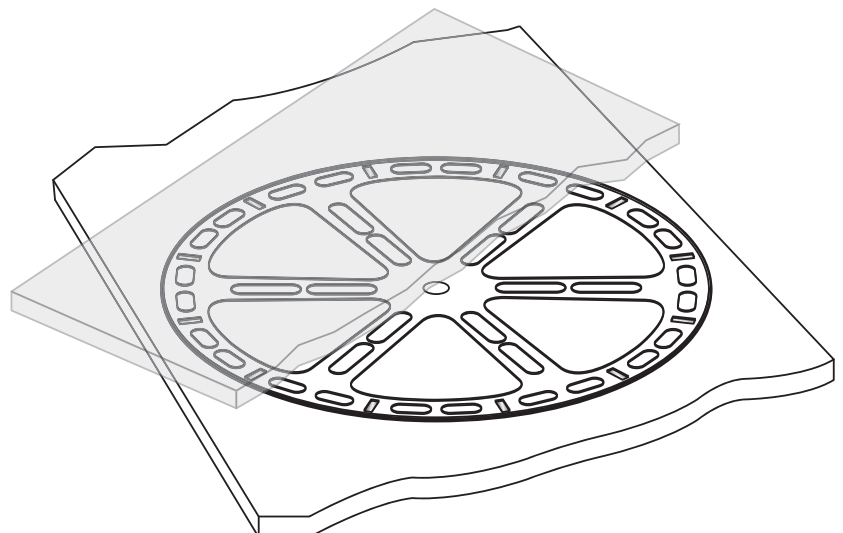
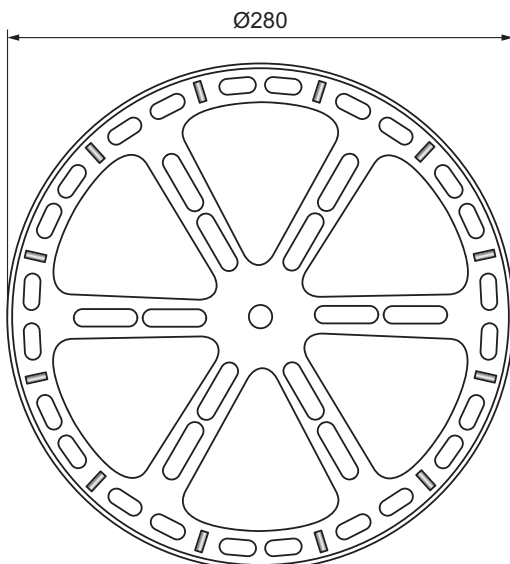
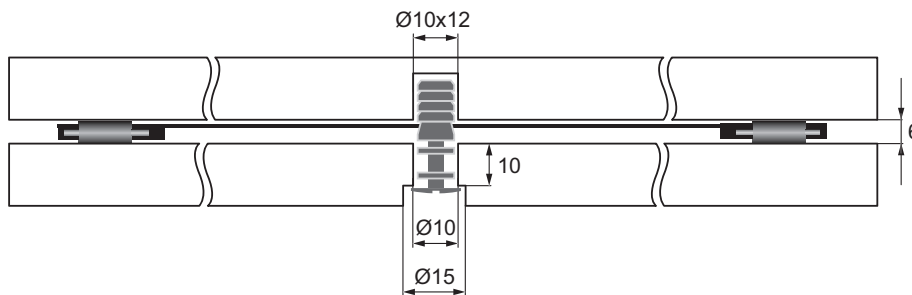
Swivel plate # 16.15.250

Bushing # 16.15.235

Bolt # 16.15.230



Bushing & bolt to be ordered separately.



NOTES

- high quality furniture fittings



A series of horizontal dotted lines spanning the width of the page, intended for taking notes.



- high quality furniture fittings

SISO A/S

Mileparken 11 Phone: (+45) 45 830 900
DK - 2740 Skovlunde (Copenhagen) Fax: (+45) 45 830 444
Denmark E-mail: siso@siso.dk Web: www.siso.dk